

盒式金属化聚丙烯膜阻容降压型电容器

(MPB/CBB21B-RC) 规格书

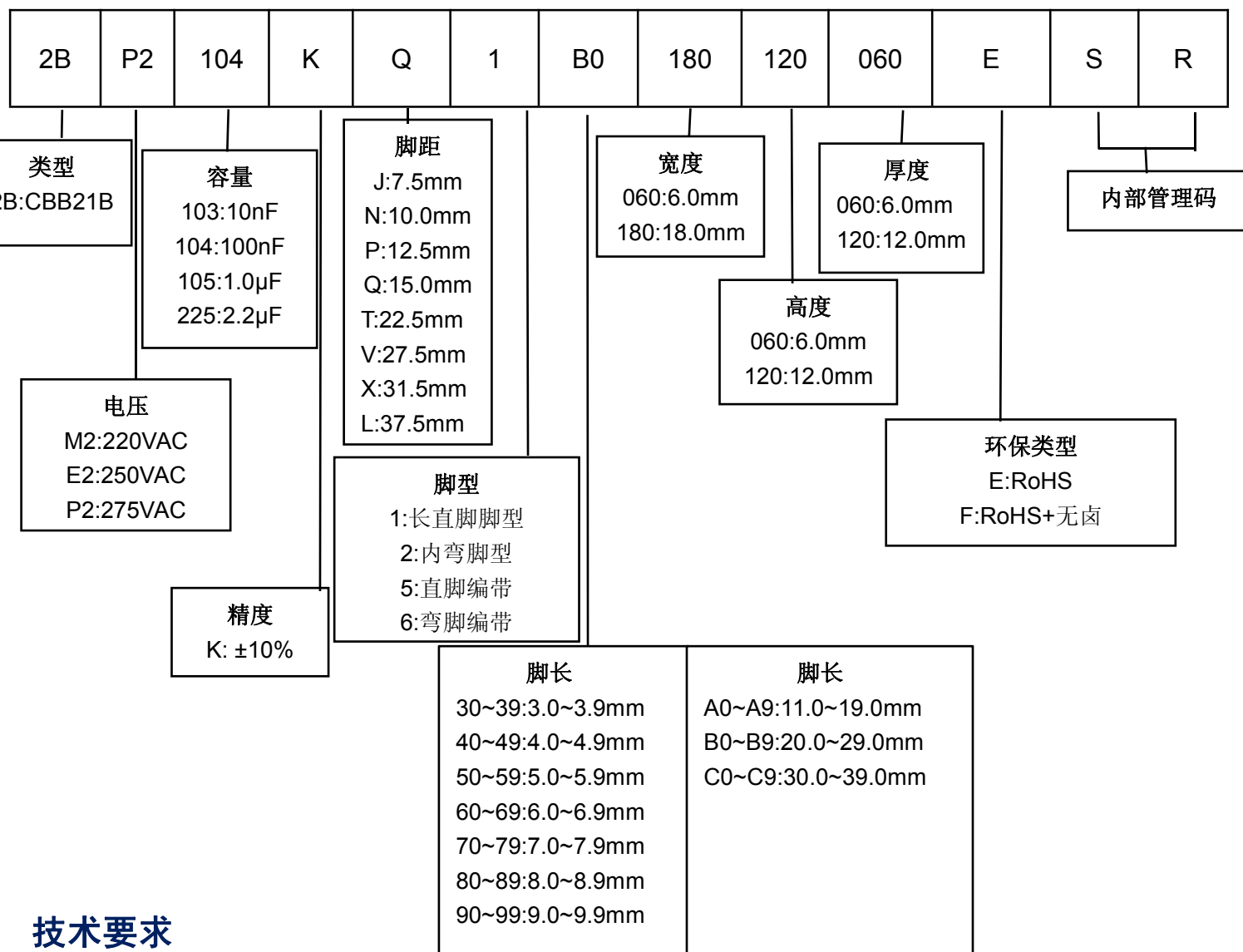
特点

- 电容器容量范围从 0.001 μ F 到 4.7 μ F。
- 工作温度：-40 $^{\circ}$ C ~ 105 $^{\circ}$ C。
- 储存温度：15 $^{\circ}$ C ~ 35 $^{\circ}$ C。
- 金属化聚丙烯膜结构。
- 自愈性能优异，能承受过电压冲击。
- 长期负载下优异的电容量稳定性。
- 优异的阻燃性树脂（UL94V-0）。

用途

- 适用于电表、LED 驱动模块。

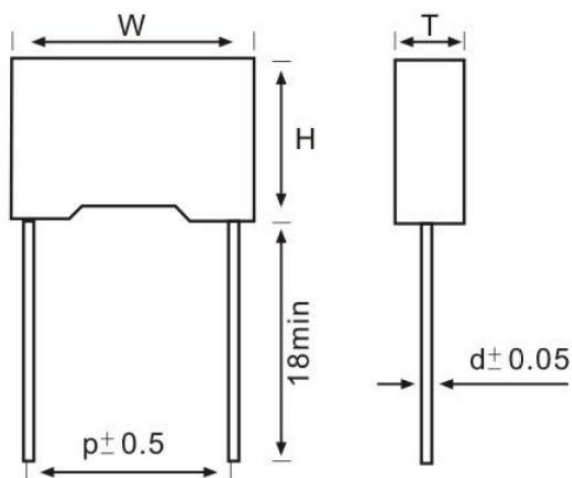
料号编码原则



技术要求

气候类别	40/100/56
额定电压	220VAC、250VAC、275VAC
损耗角正切	≤0.1%
耐电压	1.6U _R (5s)
绝缘电阻	IR≥50000MΩ (AT 100VDC、60SEC、20℃)

外形尺寸 (mm)

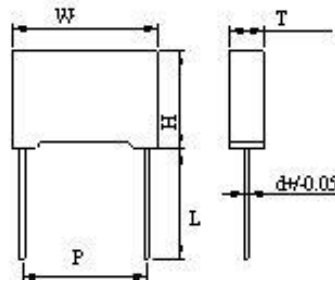
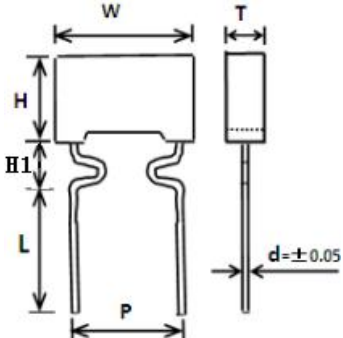


容量(μ F)	电压	尺寸 (mm)				
		$W \pm 0.5$	$H \pm 0.5$	$T \pm 0.5$	$P \pm 1.0$	$d \pm 0.05$
0.001	220VAC/250VAC/275VAC	10.0	11.0	5.0	7.5	0.6
		13.0	11.0	5.0	10.0	0.6
0.0022	220VAC/250VAC/275VAC	10.0	11.0	5.0	7.5	0.6
		13.0	11.0	5.0	10.0	0.6
0.0033	220VAC/250VAC/275VAC	10.0	11.0	5.0	7.5	0.6
0.0047	220VAC/250VAC/275VAC	10.0	11.0	5.0	7.5	0.6
		13.0	11.0	5.0	10.0	0.6
0.0068	220VAC/250VAC/275VAC	10.0	11.0	5.0	7.5	0.6
		13.0	11.0	5.0	10.0	0.6
0.0082	220VAC/250VAC/275VAC	10.0	11.0	5.0	7.5	0.6
		13.0	11.0	5.0	10.0	0.6
0.01	220VAC/250VAC/275VAC	10.0	11.0	5.0	7.5	0.6
		13.0	11.0	5.0	10.0	0.6
		18.0	12.0	6.0	15.0	0.8
0.022	220VAC/250VAC/275VAC	10.0	11.0	5.0	7.5	0.6
		13.0	11.0	5.0	10.0	0.6
		18.0	12.0	6.0	15.0	0.8
0.033	220VAC/250VAC/275VAC	10.0	11.0	5.0	7.5	0.6
		13.0	11.0	5.0	10.0	0.6
		18.0	12.0	6.0	15.0	0.8
0.047	220VAC/250VAC/275VAC	10.0	12.0	6.0	7.5	0.6
		13.0	12.0	6.0	10.0	0.6
		18.0	12.0	6.0	15.0	0.8

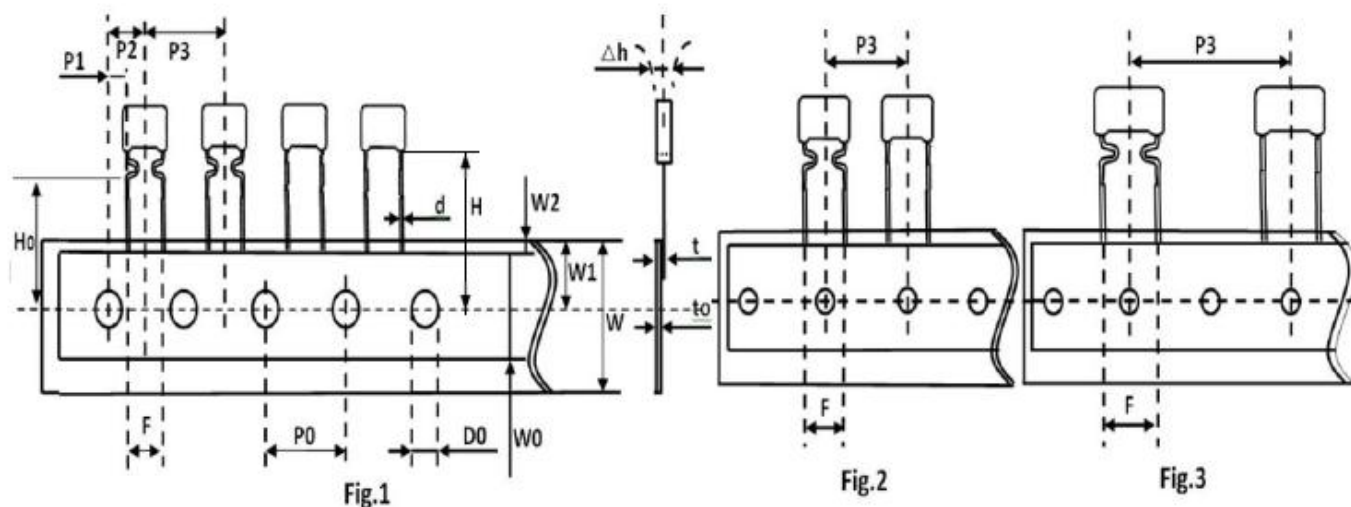
容量(μF)	电压	尺寸 (mm)				
		W±0.5	H±0.5	T±0.5	P±1.0	d±0.05
0.056	220VAC/250VAC/275VAC	13.0	13.0	7.0	10.0	0.6
		18.0	12.0	6.0	15.0	0.8
0.068	220VAC/250VAC/275VAC	10.0	12.0	6.0	7.5	0.6
		13.0	12.0	6.0	10.0	0.6
		18.0	12.0	6.0	15.0	0.8
0.082	220VAC/250VAC/275VAC	10.0	15.0	8.0	7.5	0.6
		13.0	13.0	7.0	10.0	0.6
		18.0	12.0	6.0	15.0	0.8
0.1	220VAC/250VAC/275VAC	10.0	16.0	6.0	7.5	0.6
		13.0	13.0	7.0	10.0	0.6
		18.0	12.0	6.0	15.0	0.8
0.15	220VAC/250VAC/275VAC	13.0	14.0	8.0	10.0	0.6
		15.0	14.0	8.0	12.5	0.6
		18.0	12.0	6.0	15.0	0.8
		26.5	16.5	7.0	22.5	0.8
0.18	220VAC/250VAC/275VAC	13.0	16.0	8.0	10.0	0.6
		15.0	16.0	10	12.5	0.6
		18.0	13.5	7.5	15.0	0.8
		26.5	16.5	7.0	22.5	0.8
0.22	220VAC/250VAC/275VAC	13.0	16.0	8.0	10.0	0.6
		15.0	16.0	10	12.5	0.6
		18.0	14.5	8.5	15.0	0.8
		26.5	16.5	7.0	22.5	0.8
0.27	220VAC/250VAC/275VAC	18.0	15.0	9.0	15.0	0.8
		26.5	16.5	7.0	22.5	0.8
0.33	220VAC/250VAC/275VAC	15.0	15.0	9.0	12.5	0.6
		18.0	15.0	9.0	15.0	0.8
		26.5	16.5	7.0	22.5	0.8
0.39	220VAC/250VAC/275VAC	18.0	16.0	10.0	15.0	0.8
		26.5	17.0	8.5	22.5	0.8
0.47	220VAC/250VAC/275VAC	18.0	15.0	9.0	15.0	0.8
		26.5	17.0	8.5	22.5	0.8
		26.5	19.0	10.0	22.5	0.8
		31.0	20.5	11.0	27.5	0.8

容量(uF)	电压	尺寸 (mm)				
		W±0.5	H±0.5	T±0.5	P±1.0	d±0.05
0.56	220VAC/250VAC/275VAC	18.0	19.0	11.0	15.0	0.8
		26.5	19.0	10.0	22.5	0.8
0.68	220VAC/250VAC/275VAC	18.0	19.0	11.0	15.0	0.8
		26.5	20.0	10.0	22.5	0.8
		31.0	22.0	11.0	27.5	0.8
0.82	220VAC/250VAC/275VAC	26.5	23.0	12.0	22.5	0.8
		31.0	21.0	11.0	27.5	0.8
1.0	220VAC/250VAC/275VAC	26.5	23.0	13.0	22.5	0.8
		31.0	22.0	12.0	27.5	0.8
1.2	220VAC/250VAC/275VAC	26.5	22.0	11.0	22.5	0.8
		31.0	25.0	14.0	27.5	0.8
		36.5	26.0	18.0	31.5	0.8
1.5	220VAC/250VAC/275VAC	36.5	26.0	18.0	31.5	0.8
		41.0	28.5	16.0	37.5	0.8
1.8	220VAC/250VAC/275VAC	36.5	26.0	18.0	31.5	0.8
		41.0	28.5	16.0	37.5	0.8
2.0	220VAC/250VAC/275VAC	36.5	26.0	18.0	31.5	0.8
		41.0	28.5	16.0	37.5	0.8
2.2	220VAC/250VAC/275VAC	36.5	26.0	18.0	31.5	0.8
		41.5	28.5	16.0	37.5	0.8
2.5	220VAC/250VAC/275VAC	41.5	28.5	16.0	37.5	0.8
2.7	220VAC/250VAC/275VAC	36.5	28.0	18.0	31.5	0.8
		41.5	31.5	18.0	37.5	0.8
3.0	220VAC/250VAC/275VAC	31.0	31.0	22.0	27.5	0.8
		41.5	31.5	18.0	37.5	0.8
3.3	220VAC/250VAC/275VAC	31.0	31.0	22.0	27.5	0.8
		41.5	35.5	22.5	37.5	0.8
3.9	220VAC/250VAC/275VAC	31.0	31.0	22.0	27.5	0.8
		41.5	35.5	22.5	37.5	0.8
4.7	220VAC/250VAC/275VAC	41.5	35.5	22.5	37.5	0.8

脚型、脚长说明

脚型	图示	脚长 L (mm)	高度 H1(mm)
长直脚脚型		① $[2.5 \leq L < 6.0] \pm 0.5$; ② $[6.0 \leq L \leq 10] \pm 1.0$	/
内弯脚型		① $[2.5 \leq L < 6.0] \pm 0.5$; ② $[6.0 \leq L \leq 10] \pm 1.0$	脚距 $P > 10\text{mm}$: $H1 < 6.0\text{mm}$ 脚距 $P \leq 10\text{mm}$: $H1 < 5.0\text{mm}$

编带尺寸 (mm)



代码	Fig.1	Fig.2	Fig.2	Fig.3	Fig.3	误差
	P=5.0	P=7.5	P=10	P=15	P=20/22.5	
P3	12.7	12.7	12.7	25.4	30.0	±1.0
P2	6.35	/	/	/	/	±1.3
P0	12.7	12.7	12.7	12.7	15.0	±0.3
P1	3.85	/	/	/	/	±0.7
F	5.0	7.5	10.0	15.0	20.0/22.5	±1.0
H	20.0	20.0	20.0	20.0	20.0	±1.0
H0	16.5	16.5	16.5	16.5	16.5	±0.5
Δh	0	0	0	0	0	±2.0
W	18.0	18.0	18.0	18.0	18.0	+1.0/-0.5
W0	12.0	12.0	12.0	12.0	12.0	±1.0
W1	9.0	9.0	9.0	9.0	9.0	±0.5
W2	3.0	3.0	3.0	3.0	3.0	Max
D0	4.0	4.0	4.0	4.0	4.0	±0.3
d	0.5	0.6	0.6	0.8	0.8	±0.05
t	1.0	1.1	1.1	1.4	1.4	±0.2
t0	0.38	0.38	0.38	0.47	0.47	±0.04