



中兴技术

ZhongXing Technology

户 外 机 房 专 家

# Telecom Shelter

All-in-One Fast Build Telecom Base Station



<https://www.jhzxct.com/>





## Company Profile

Jinhua ZhongXing Communication Technology Co., LTD, is focused on the Outdoor shelter, Cabinet, Modular house for Telecom, environmental monitoring, Computer data center, Power storage applications, we've got a one-stop supply from design, production, construction to marketing. We are committed to provide first-class quality and efficient pre-sale and after-sale services, which has taken good reputations from our customers.

Our company is certified with “Steel Construction professional contractor III”, “Grade 3 of general contracting on Telecom engineering”, “Production license for broadcast TV tower”, we have full capability for the product design, manufacturing with rich field installation experience, the production capacity >10,000 sets/year.

## Certification certificate



## Patent certificate





## What is “Fast-Build Telecom Base Station” ?

It is based on the “Better, Faster, Lighter” design concept.

The All-in-One Fast Build Telecom Base Station, integrated with the antenna tower, shelter and telecom equipment inside, is deployed to establish a network access on the field, for temporary or permanent use. It meets telecom criteria of wireless connection between base stations, as well as the safety and reliability of the antenna tower.

## Product advantages



**Traditional tower**

- >28 days for deployment
- Rough Structure
- Require large space
- Parts installation
- Require mass materials
- Fixed construction
- High cost
- Low cost performance

**VS**



**Fast build Base Station**

- 1~3 days ready
- Elegant design
- Less footprint
- Modular installation
- Saved materials
- Removable, reusable
- Low cost
- High cost performance





**PU Shelter**



**EPS Shelter**

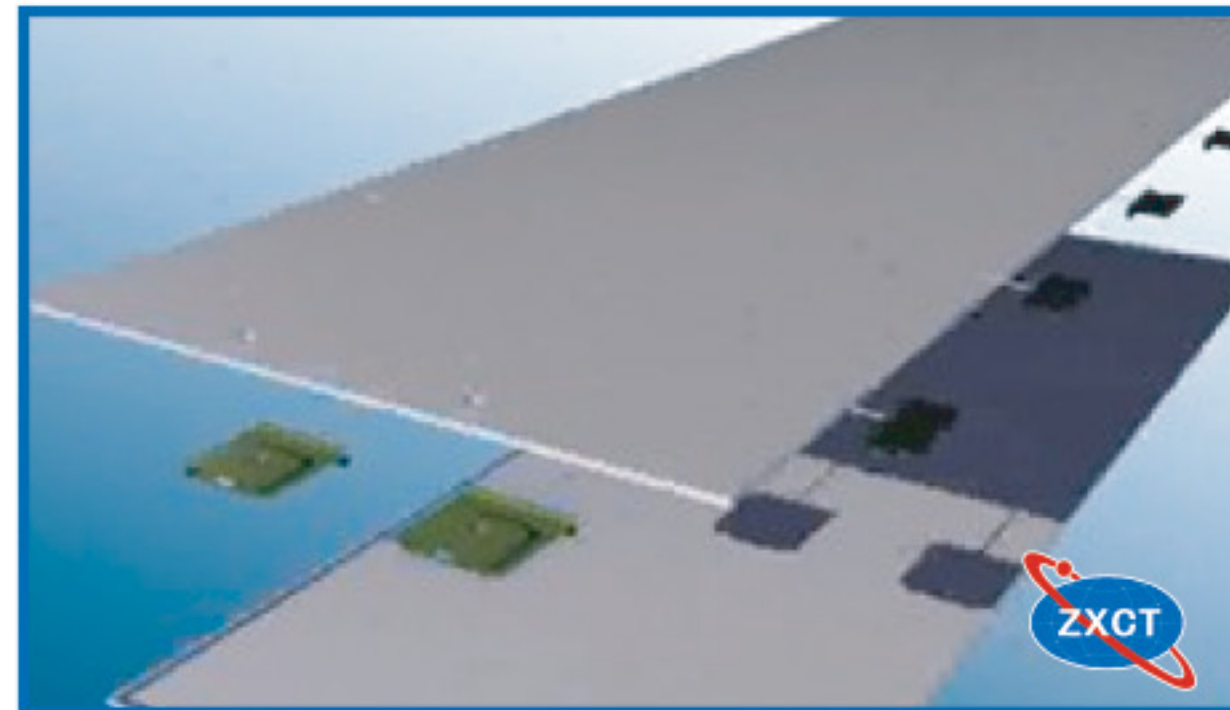
### Base Station Configurations

		PU Shelter	EPS Shelter
Shelter	Size	5000(L)×2400(W) (customized)	"5000(L)×3200(W) (customized)"
	Delivery	Full assembly or field installation	Field installation
	Thermal conductivity	0.78 W/m <sup>2</sup> ·K	1.5 W/m <sup>2</sup> ·K
	Wind resistance	60m/s	45m/s
	Anti-seismic	Grade 9	
	Fire prevention	B1	
	Waterproof	IP68	IP55
	Reliability	≥30years	≥25years
	Structure	PU patent plate	ERP/XPS Panel
Tower	Height	25m/30m/35m	
	Wind Pressure	0.55/0.75/1.0kN/m <sup>2</sup>	
	RRU quantity	3/6/9 pcs	
	19" Rack	20U	
Equipment	Rectifier Power	14400W	
	DC PDU	Up to 12 ports	
	AC SPD	Ready	
	Thermal capacity	Up to 5000W	
	Air Condition	Optional	
	Heater	Optional	
	Door Alarm	Optional	
	Customer Alarms	24 signals or more	



Patent: "thermal bridge isolated modular assembly outdoor shelter"

### Technical Innovation



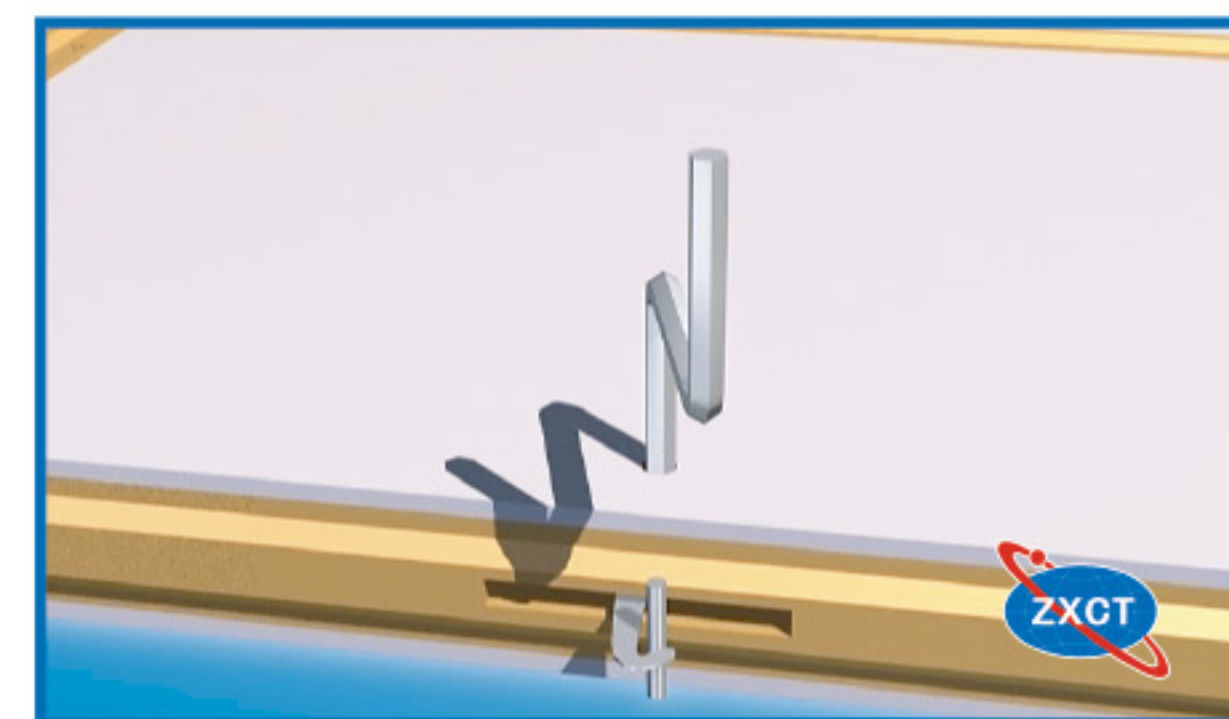
- Steel plate at both sides
- Reinforce mesh in the middle
- Eccentric hook located on edges



- Polyurethane High-pressure foaming
- Density  $\geq 38\text{kg/m}^3$
- Flame retardant applied

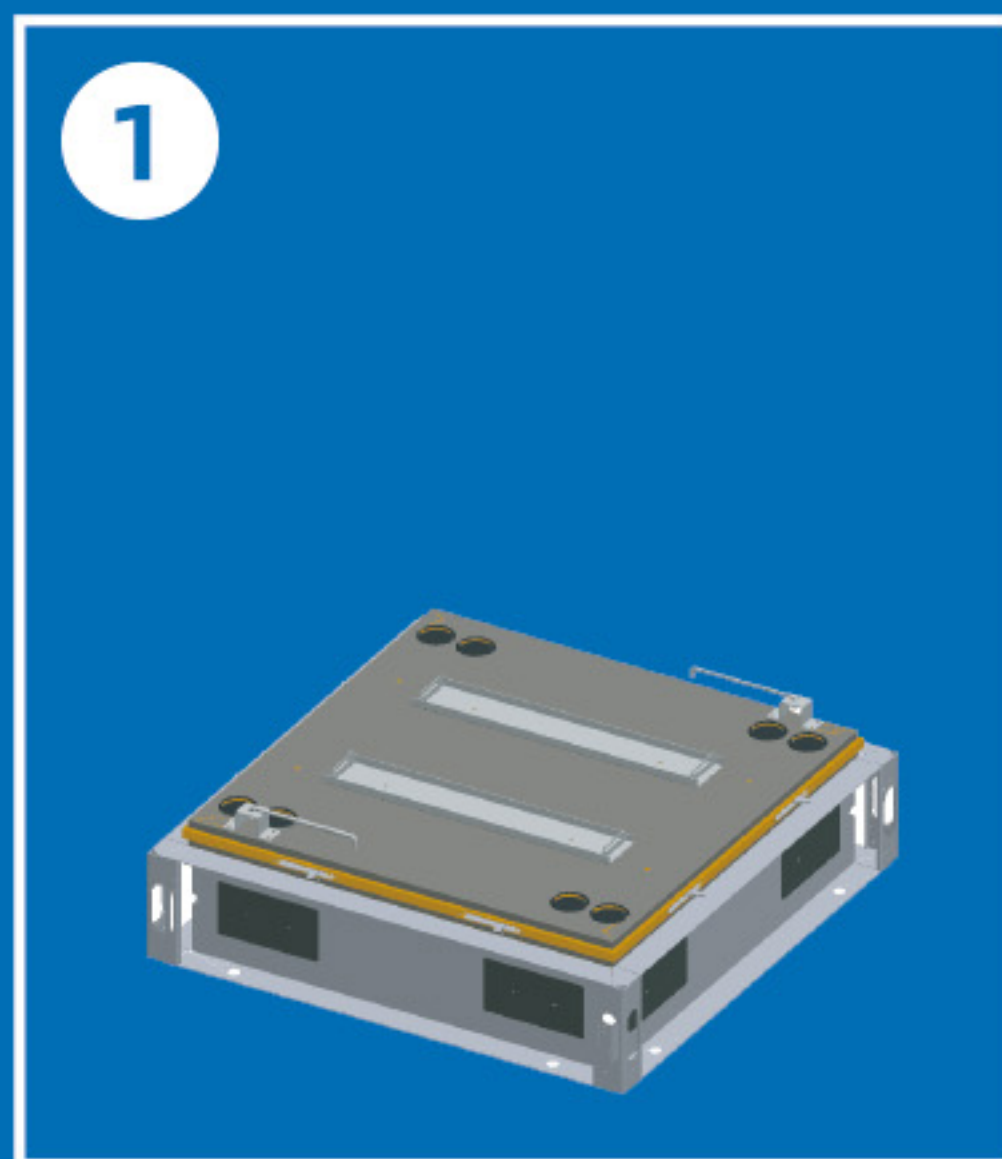


- Secured by eccentric hook
- Good usability & fast installation
- All materials reusable.

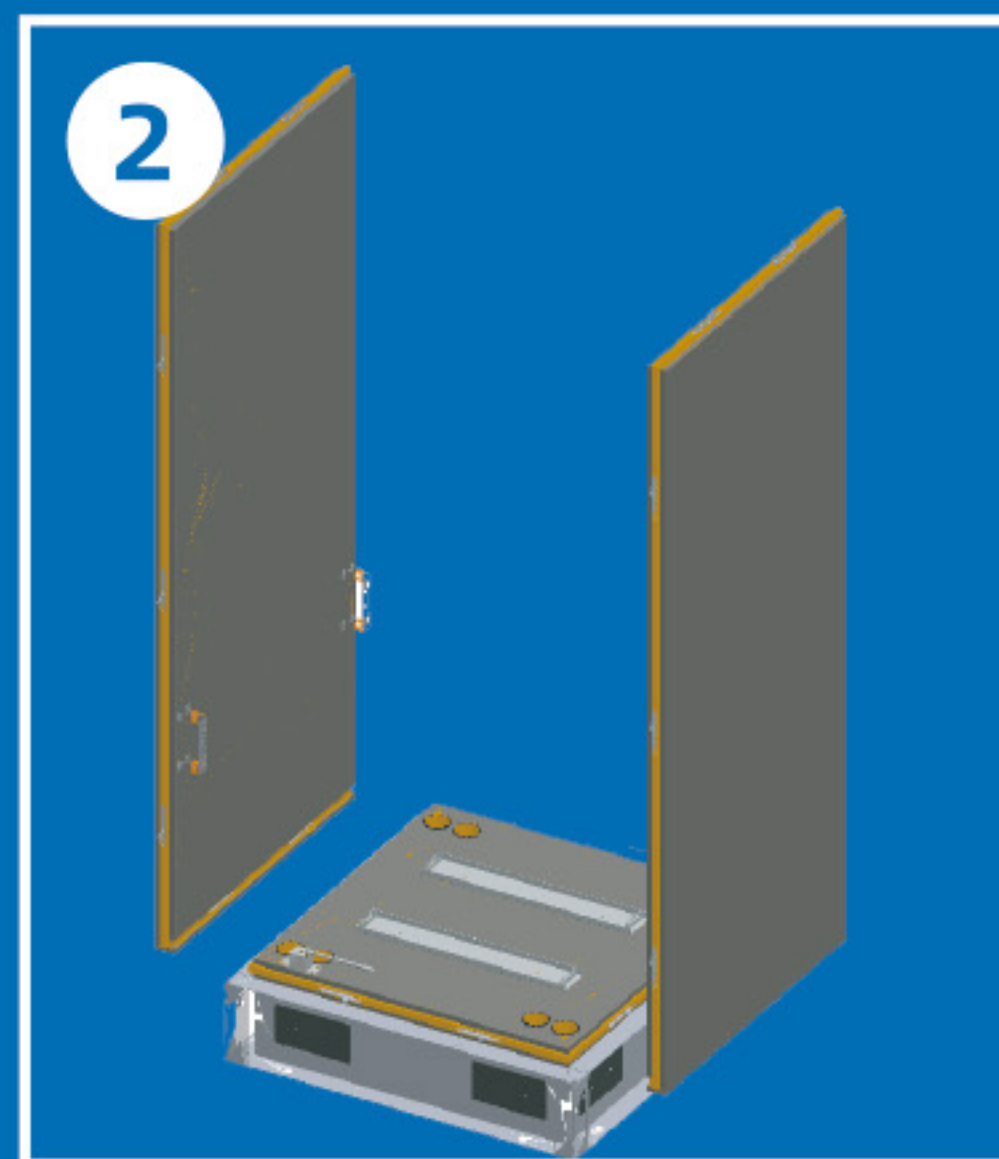


- Fully secured by eccentric hook installation without a single screw."

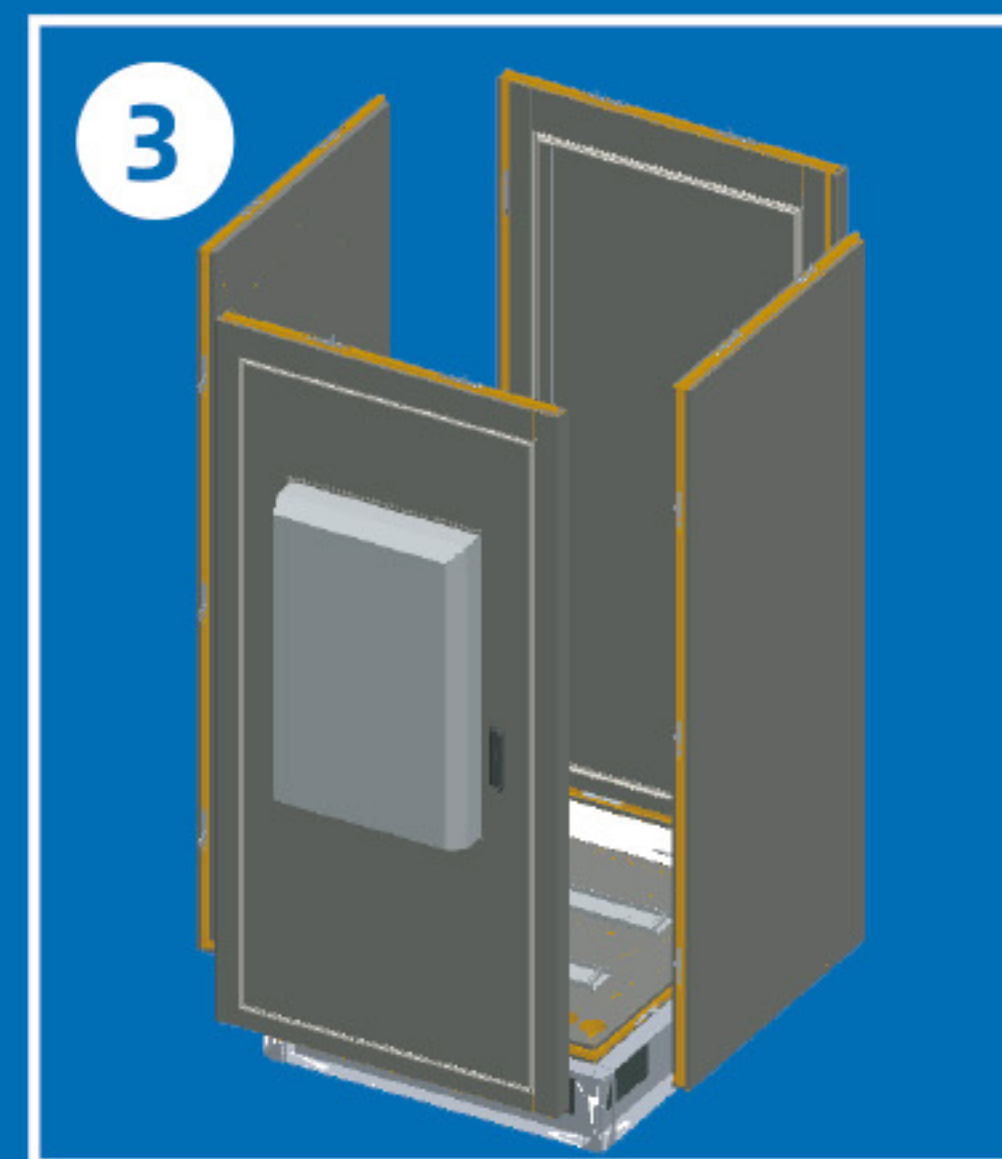
### Modular Assembly



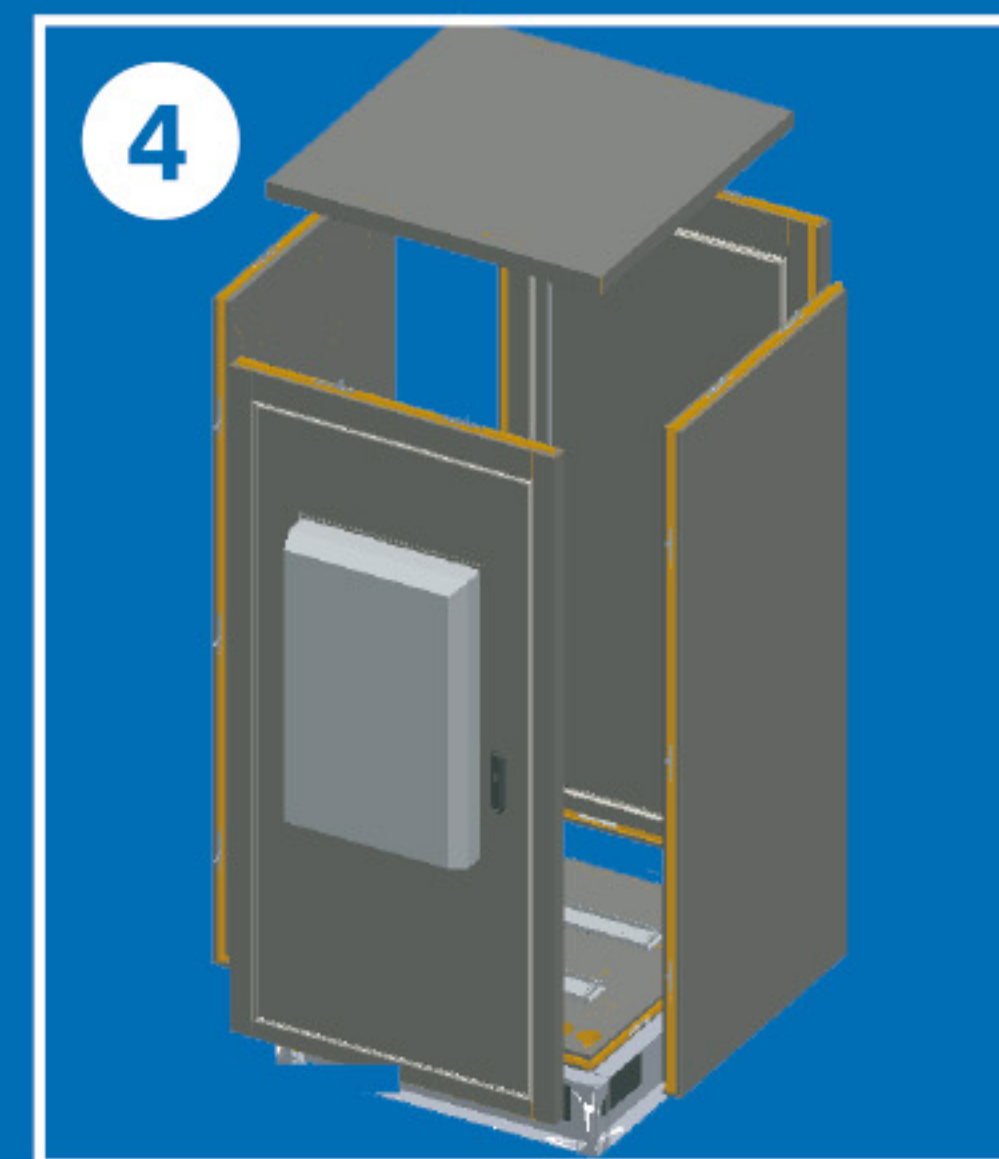
Plinth deployment



Left and Right plate



Rear and Front plate with HEX module



Top roof

### Product Feature

#### Reliability

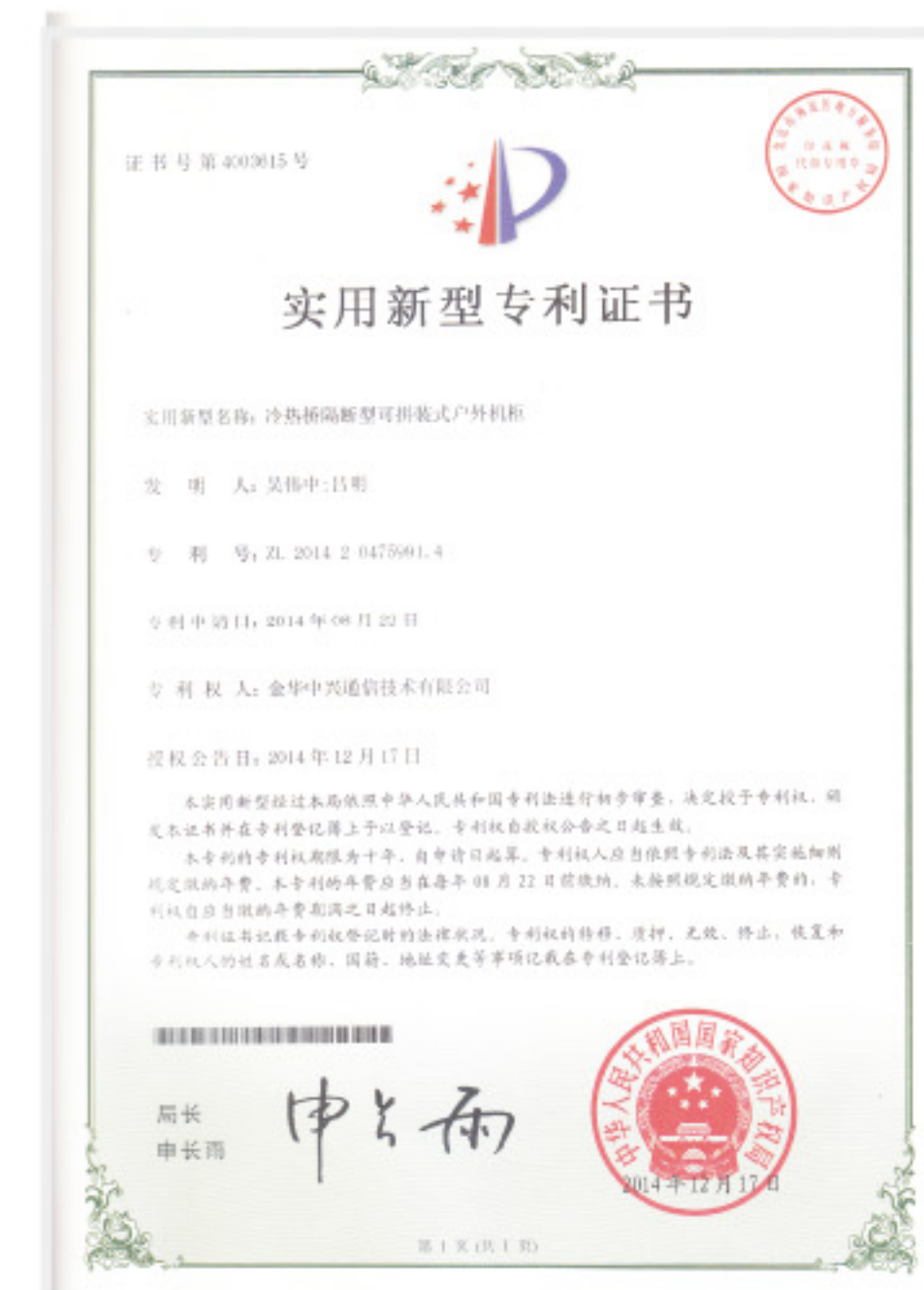
Wind resistance  $\geq 45\text{m/s}$  (up to  $60\text{m/s}$  @customized)  
All structure components  $\geq 35$  years lifetime

#### Weather-proof

Thermal isolated design, conductivity  $< 1\text{W/m}^2 \cdot \text{K}$  for the whole system, waterproof  $\geq \text{IP55}$  (up to  $\text{IP68}$  @customized)

#### Reusable

All-terrain, all-weather reusable, Full reutilization.



Patent Certificate



## Solutions

### ■ Standard Shelter



### ■ Camouflage solutions



### ■ Emergency Base Station



## Jinhua ZhongXing Communication Technology Co., LTD

E-Mail: [GlobalSales@jhzxct.com](mailto:GlobalSales@jhzxct.com)

Official site: [www.jhzxct.com](http://www.jhzxct.com)

Headquarter: Shicheng street #448, Wucheng district, Jinhua Zhejiang, China

Technical and Sales Center: Sunyard International 1-3408, 1750 Jianghong Rd, Binjiang district,  
Hangzhou Zhejiang, China

Shanghai Office: Room 4-501, Zhengjiangxi Rd #386, Jing'an District, Shanghai, China