



操作说明书

无源扬声器系统



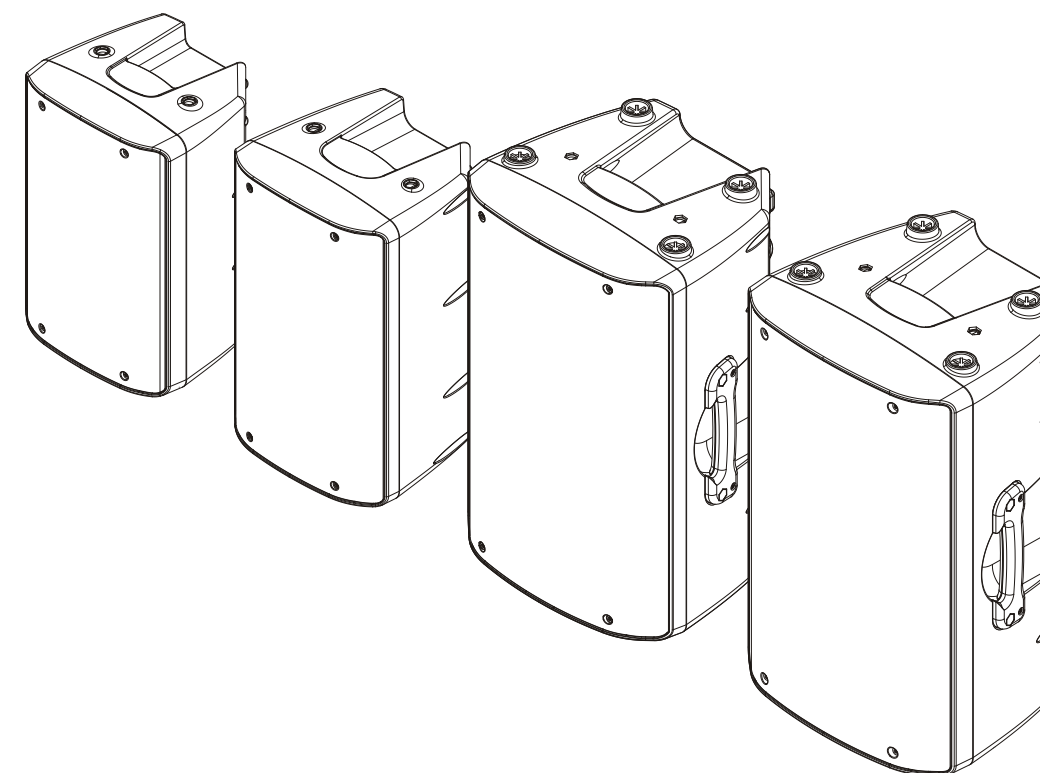
8"

10"

12"

15"

Speaker Cabinet



重要安全指南



内部高压，小心触电



机器重要操作和维护提示



请阅读



保护接地端子



交流电流/电压



危险带电端

表示设备开启

表示设备关闭

警告

警示说明，需注意，避免可能受伤或死亡的危险。



警告

警示说明，需注意以免造成产品损坏。产品的报废处理不能混于城市生活垃圾，需单独收集处理。

警告

电源在接通机器电源之前，确保主电源电压与该机器所需电压一致，否则将对机器造成损坏或可能危害用户安全。机器长时间不用或打雷闪电时请拔出电源插头，以避免触电或火灾危险。

外部连接

使用专用电源线连接，以免造成电击/死亡或火灾危险。若不明白，请联系技术人员处理。

不要拆除任何外盖

机器内部有高压区，为了避免触电危险，在电源接通时不要拆除任何外盖。如有必要，请联系技术人员处理。

内部为非用户维修部件

保险丝

为防止火灾及机器的损坏，确保使用指定规格保险丝，禁止使用不同规格保险丝。在换保险丝前，确保关闭机器电源，拔出电源插头。

保护接地

开启机器前，确保与地连接，避免触电危险。严禁切断内部或外部的保护接地线或拔出保护接地端子。

操作说明

请根据制造商的指示说明安装机器。为了避免触电和机器损坏，不要将机器置于雨水或潮湿环境。切勿在积水旁使用此机器。不要将机器安装于高温源附近不要阻塞任何通风口，以免引起火灾。机器远离明火。

重要安全说明

- 阅读安全说明
- 遵从安全说明
- 遵守安全说明
- 注意所有警示内容
- 只使用厂商指定配件

电源线和插头

不要踩踏电源线或插头。
不要断开保护接地连接。
若提供的插头与您的AC座不配套，请联系技术人员更换电源插座。
电源线与插头不要被重物压到以免有电击或火灾危险。

清洁

当机器需要清洁时，可用吹风机或干净的布除去灰尘。
不要使用清洁液，如不纯苯、酒精等。
为了安全，请保持机器干净。

机器的维修

所有维修事项请咨询专业技术人员帮助，非专业人员请不要擅自处理，以免造成触电危险。

便携式推车使用警告



携车和支架

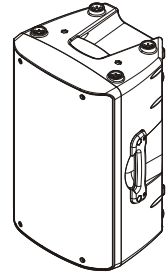
只使用制造商推荐的推车或支架。

小心使用，快速停止用力过猛和地面不平可能造成机器和推车翻倒。

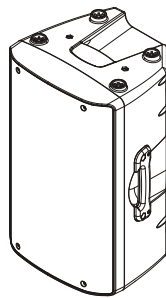
Note

9

Technical Specifications



Model Passive	12"
System Type	2-Way Vented Passive Speakr Cabinet
Continuous Power	200 Watts
Peak Power	800 Watts
Max SPL(1M/1W)	119dB Max
Frequency Response	55Hz-20kHz (-6dB)
Crossover Frequency	2.5kHz
Protection	PTC Protection for HF
Impedance	8 Ohms
Transducer Low	12"Woofer,2"Voice Coil
Transducer High	1"Neodymium Drive,1"Voice Coil
Connectors	2*1/4"Jack+SPK4(Pin1+, Pin1-)
Enclosure Construction	Plastic cabinet,Trapezoidal & Monitor shape,Metal grille, Rubber feet,3* Handles (Top and sides)
Mounting	36MM standard pole-mount /4xM10 flying Points(Optional)
Dimensions (HxWxD)	602*381*348mm (23.7"*15"*13.7")
Net Weight	12.5 (kg) / 27.6(lbs)
Volume	4.71 CFT



Model Passive	15"
System Type	2-Way Vented Passive Speakr Cabinet
Continuous Power	200 Watts
Peak Power	800 Watts
Max SPL(1M/1W)	121dB Max
Frequency Response	50Hz-20kHz (-6dB)
Crossover Frequency	2.5kHz
Protection	PTC Protection for HF
Impedance	8 Ohms
Transducer Low	15"Woofer,2"Voice Coil
Transducer High	1"Neodymium Drive,1"Voice Coil
Connectors	2*1/4"Jack+SPK4(Pin1+, Pin1-)
Enclosure Construction	Plastic cabinet,Trapezoidal & Monitor shape,Metal grille, Rubber feet,3* Handles (Top and sides)
Mounting	36MM standard pole-mount /4xM10 flying Points(Optional)
Dimensions (HxWxD)	627*386*371mm (24.7"*15.2"*14.6")
Net Weight	13.1 (kg) / 28.9(lbs)
Volume	5.91 CFT

目录

1. 简介	4
2. 安装提示	4
3. 数据	4
4. 系统连接	5
5. 安装	6
6. 连接板	7
7. 频响图	8
8. 接线方式	10
9. 技术规格	11
10. 附注	13

引言

感谢您选择我们。全新X MKII系列箱体的设计提供具有高效益的解决方案，同时保持高质量的机柜结构和最佳组件。X MKII 系列可用于所有类型的应用，包括但不限于教堂、会议中心和迪斯科舞厅。低音扬声器和钹驱动器组合提供了与这些音箱成本相媲美的卓越性能。我们的专业音频产品由具有20多年经验的高素质工程团队设计和测试。我们非常注重交付性能、规格和可靠性卓越的产品。同时，我们也非常重视创造和推出可以满足多种应用的产品，为客户提供非凡的价值。

功能简介

- 扬声器应放置在声音投射不受阻碍的位置。在许多情况下，扬声器在三脚架上升高以实现最大的分散和覆盖范围是有益的。考虑使用扬声器支架或类似装置来升高扬声器。使用优质电缆可确保最佳音质。
- 为了获得最佳效果，请使用与扬声器的瓦数和阻抗相匹配的优质放大器。适当的放大功率可以带来优质的音频和更长的组件寿命。
- 避免将麦克风直接指向放大的扬声器，否则可能会导致反馈，从而损坏扬声器组件和您的听力。

享受声音!

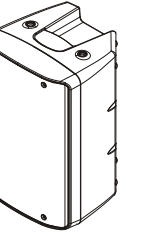
数据

请在此处写下您的序列号，以备将来参考。

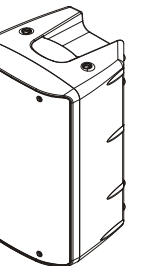
序列号:
购买日期:
购买地址:

Technical Specifications

Model Passive	8"
System Type	2-Way Vented Passive Speakr Cabinet
Continuous Power	100 Watts
Peak Power	400 Watts
Max SPL(1M)	113dB Max
Frequency Response	68Hz-20kHz (-6dB)
Crossover Frequency	2.2kHz
Protection	PTC Protection for HF
Impedance	8 Ohms
Transducer Low	8"Woofers, 1.5"Voice Coil
Transducer High	1" Ferrite Drive, 1" Voice Coil
Connectors	2*1/4"Jack+SPK4(Pin1+, Pin1-)
Enclosure Construction	Plastic cabinet,Trapezoidal & Monitor shape,Metal grille, 1*Handle-On Top
Mounting	36MM standard pole-mount /4xM10 flying Points(Optional)
Dimensions (HxWxD)	422*272*252mm (16.6"*10.7"*9.7")
Net Weight	5.6 (kg) / 12.3(lbs)
Volume	1.96 CFT



Model Passive	10"
System Type	2-Way Vented Passive Speakr Cabinet
Continuous Power	120 Watts
Peak Power	480 Watts
Max SPL(1M)	116dB Max
Frequency Response	65Hz-20kHz (-6dB)
Crossover Frequency	2.2kHz
Protection	PTC Protection for HF
Impedance	8 Ohms
Transducer Low	10"Woofers, 1.5"Voice Coil
Transducer High	1" Ferrite Drive, 1" Voice Coil
Connectors	2*1/4"Jack+SPK4(Pin1+, Pin1-)
Enclosure Construction	Plastic cabinet,Trapezoidal & Monitor shape,Metal grille, 1*Handle-On Top
Mounting	36MM standard pole-mount /4xM10 flying Points(Optional)
Dimensions (HxWxD)	462*287*277mm (18.2"*11.3"*10.9")
Net Weight	6.6 (kg) / 14.6(lbs)
Volume	2.36 CFT



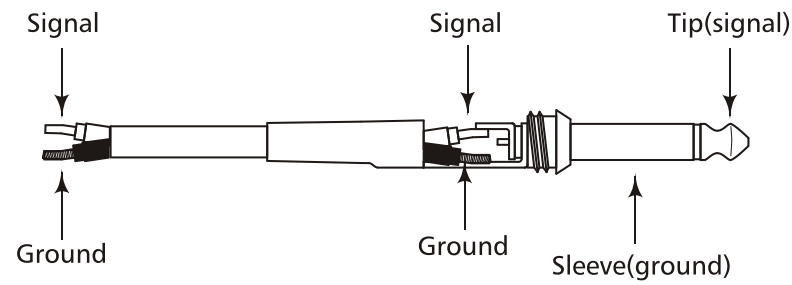
Wire Connections

The X MKII series speaker connections are made via the rear panel 1/4" and/or Speakon® connectors for easy interface with industry standard cables. Standard, unshielded speaker wire (available at your local pro audio or music store), with either 1/4" phone or Speakon connectors and wire gauge of 12-14 AWG is recommended.

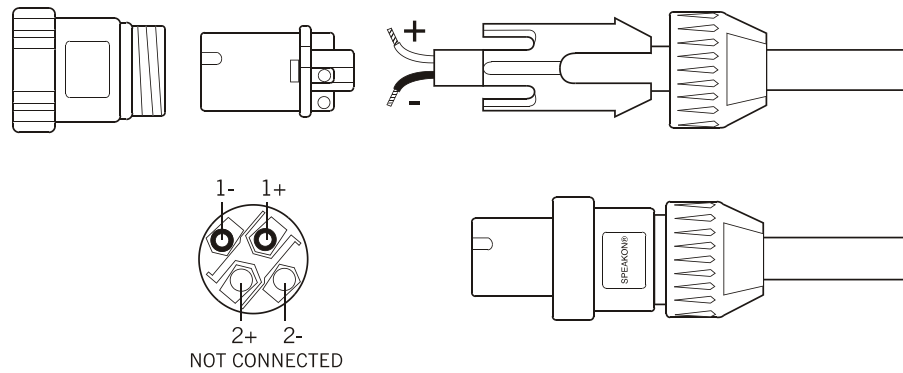
If your amplifier uses binding posts you can use speaker cables with banana connectors, but be sure to pay attention to the +/- polarity when making the connections. Make sure that the + terminal of the speaker, or banana connector, is connected to the + terminal of the power amplifier, and that the - terminal of the speaker, or banana connector, is connected to the - terminal of the power amplifier. It is important that your PA system is connected in-phase, otherwise you will not have the proper low-end response and stereo image.

Use the following diagrams below to ensure proper connections when wiring your system:

Unbalanced 1/4" Connector



Speakon® Wiring Guide

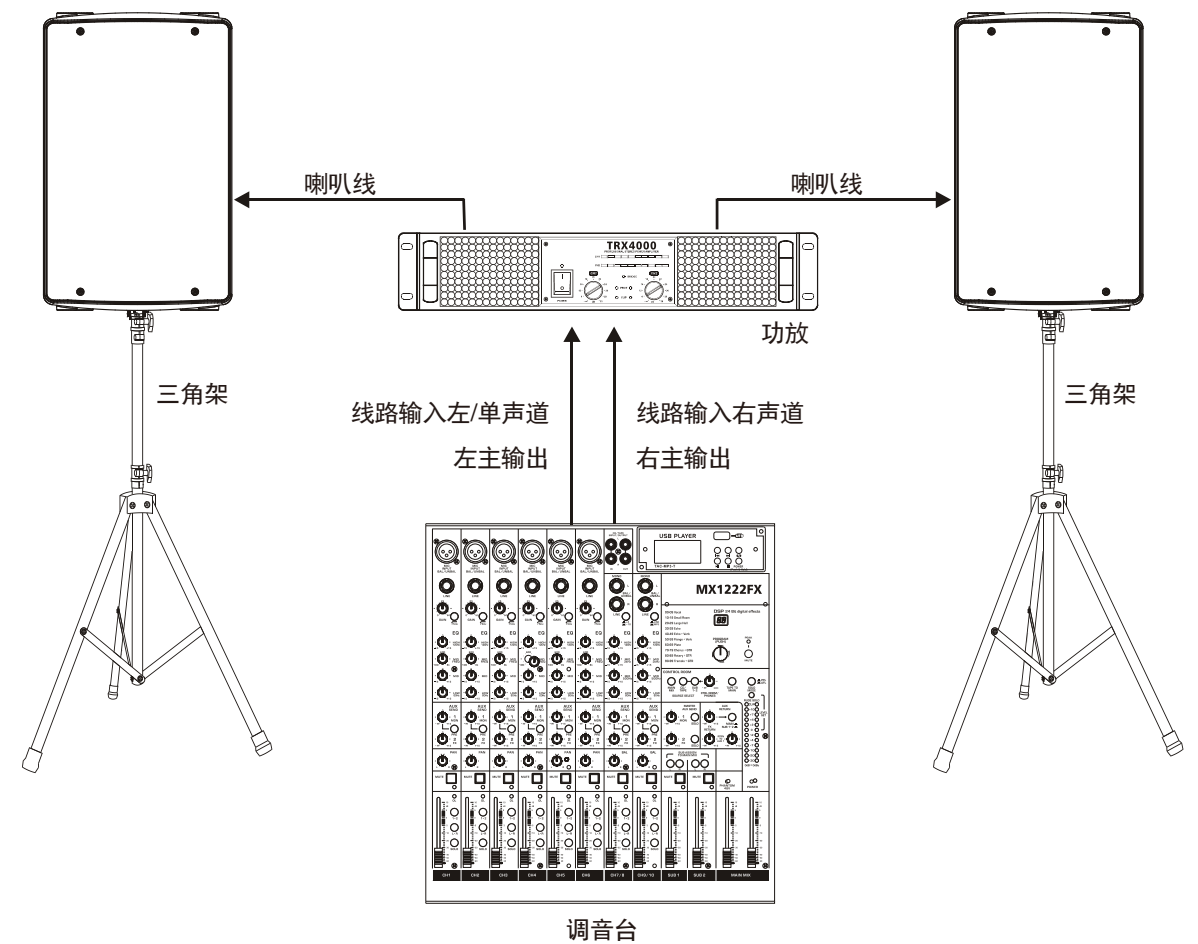


系统连接

刚开始连接时，所有的设备都是关闭的，并确保所有的主音量控制完全关闭。

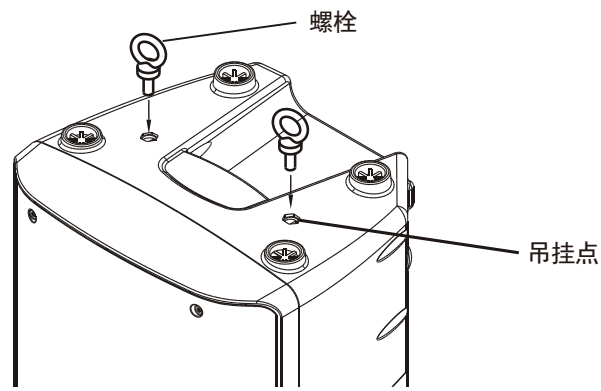
适用于无源全频音箱

- 1) 将音箱线的一侧连接至立体声功率放大器的输出 CH A/CH B 接线端，另一侧连接至音箱箱体的输入插座。
- 2) 如图所示完成其它连接。
- 3) 首先打开调音台，然后打开立体声功率放大器。
- 4) 将放大器的音量控制调至 70% 左右。
- 5) 使用 PFL 功能为调音台获取适当的输入电平，并调整 Main Mix Level 控制来操纵输出电平。
- 6) 使用完毕后，先关闭立体声功放，再关闭调音台。

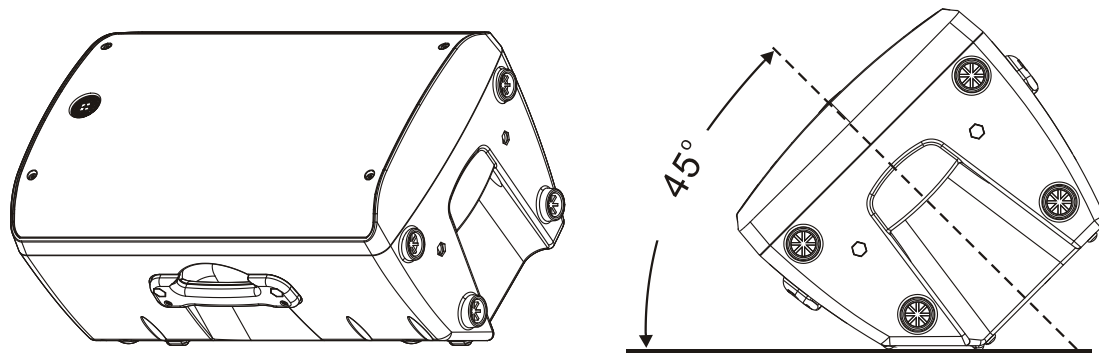


5 安装

X MKII系列音箱也支持吊挂点安装。
 (M10 1.5PH 长度: 30 毫米)。
 详情请参阅右图 (可选功能)



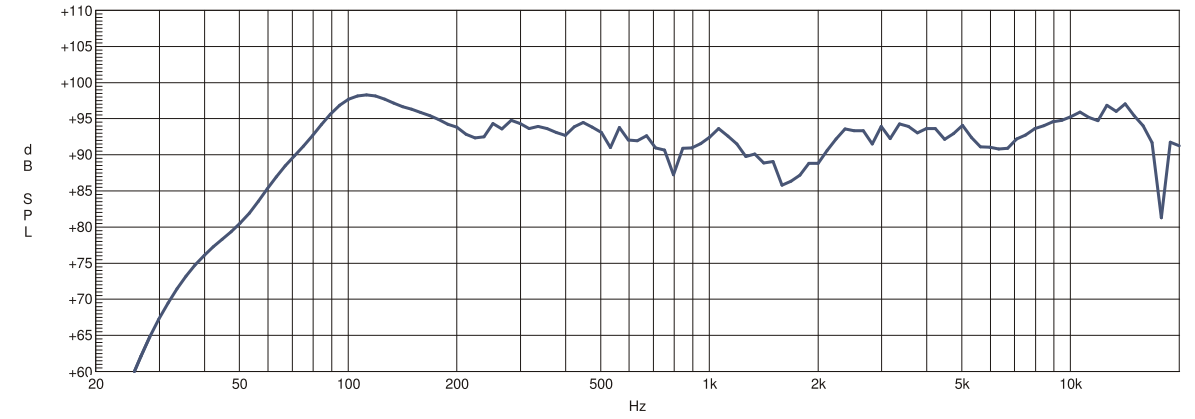
当45度角放置在地板上时, 可作为监听喇叭。



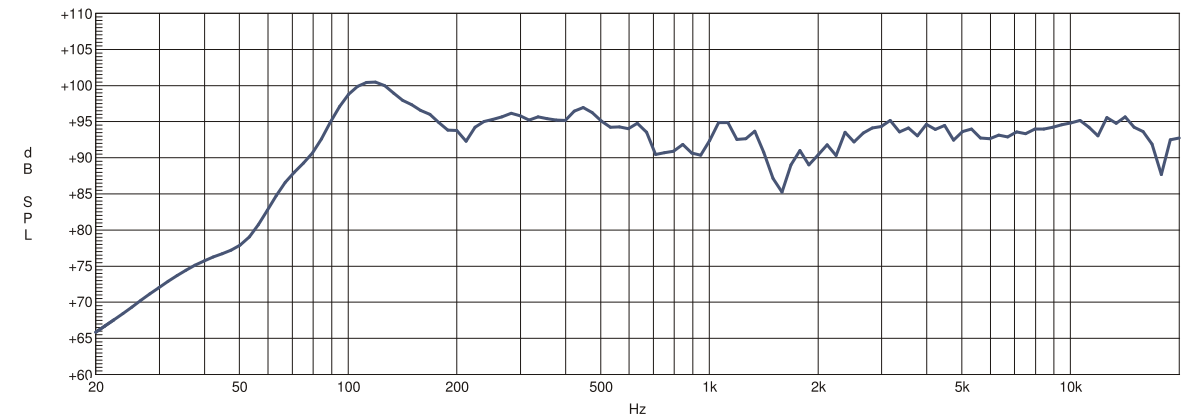
7

Frequency Response Diagram

12" 2-Way Vented Passive Speaker Cabinet

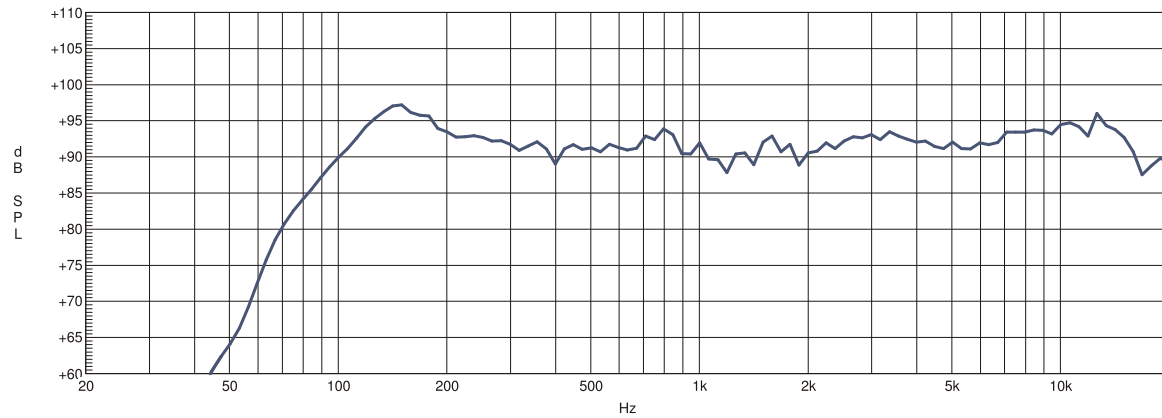


15" 2-Way Vented Passive Speaker Cabinet

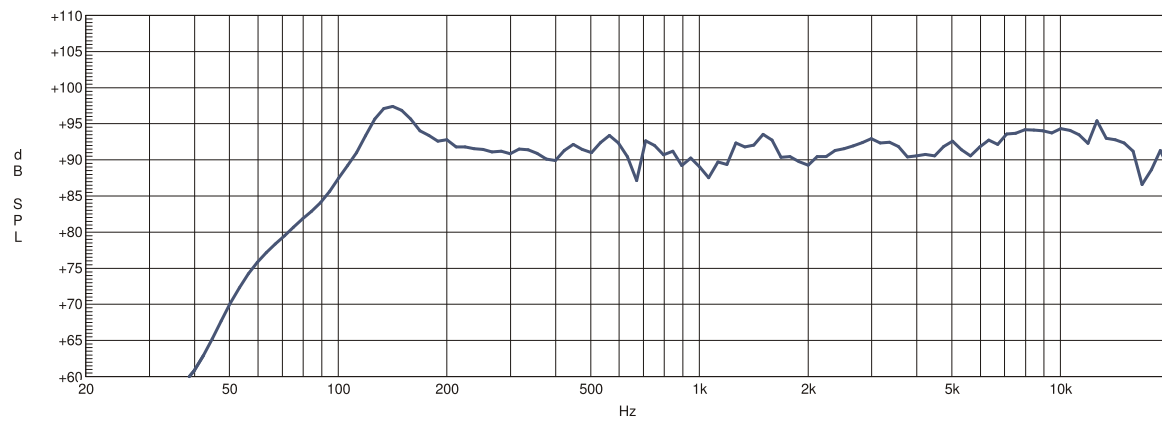


7 Frequency Response Diagram

8" 2-Way Vented Passive Speaker Cabinet



10" 2-Way Vented Passive Speaker Cabinet

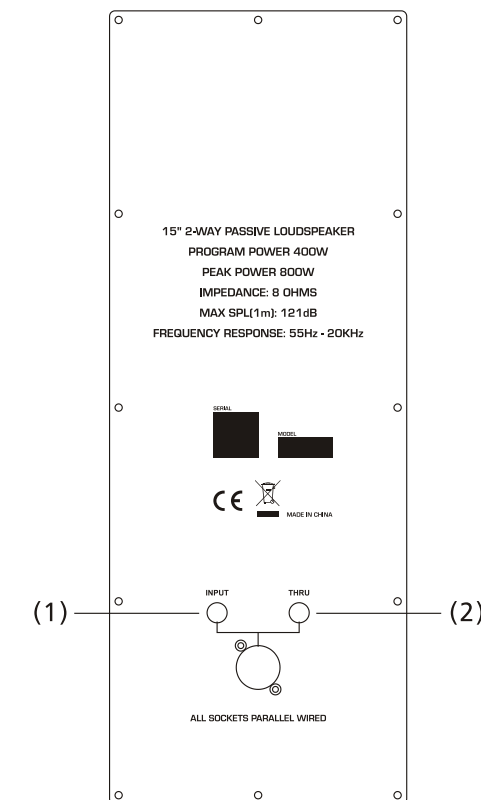
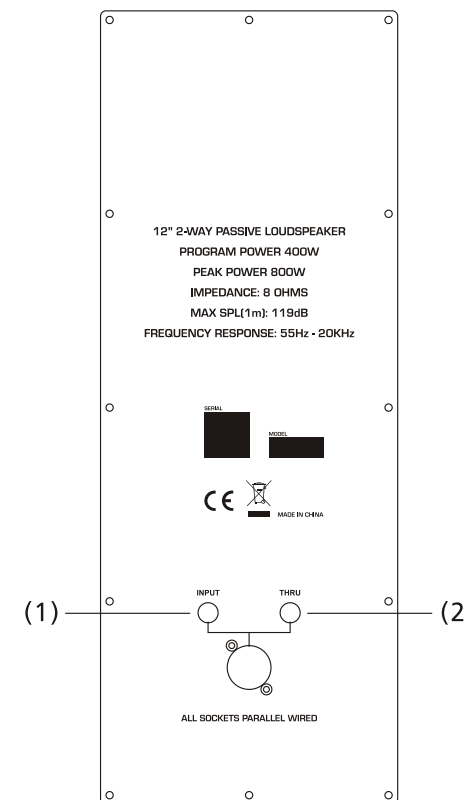
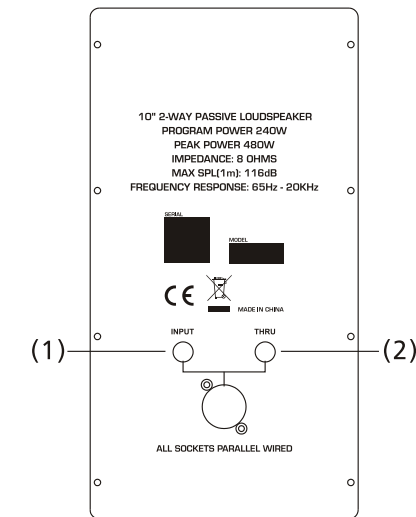
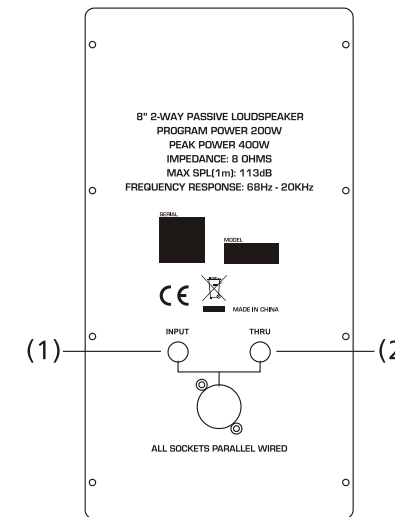


6

连接板

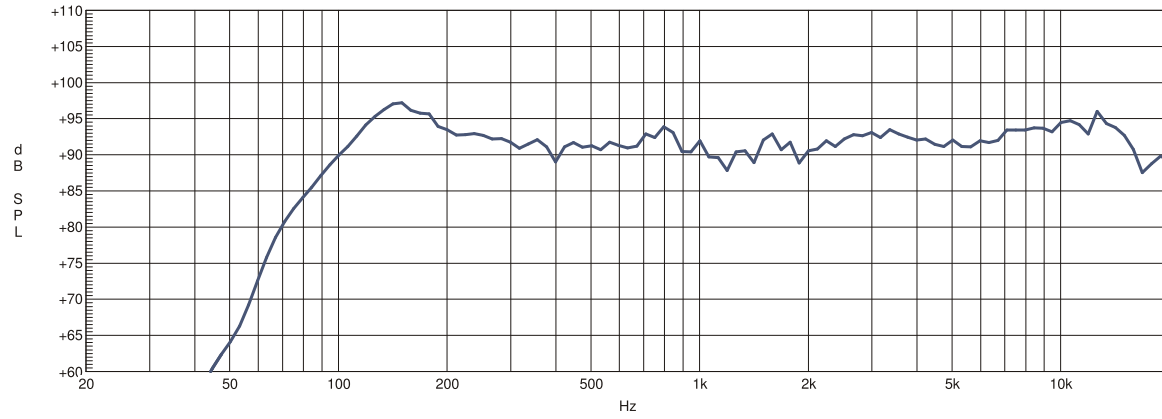
适用于无源全频扬声器

- (1) INPUT: 接收来自外部功放的电源 (SPK+1/-1连接; +2-2 未连接)
- (2) THRU: 直接 LINK, 用于并联第二个音箱 (SPK+1/-1 连接; +2-2 未连接)。

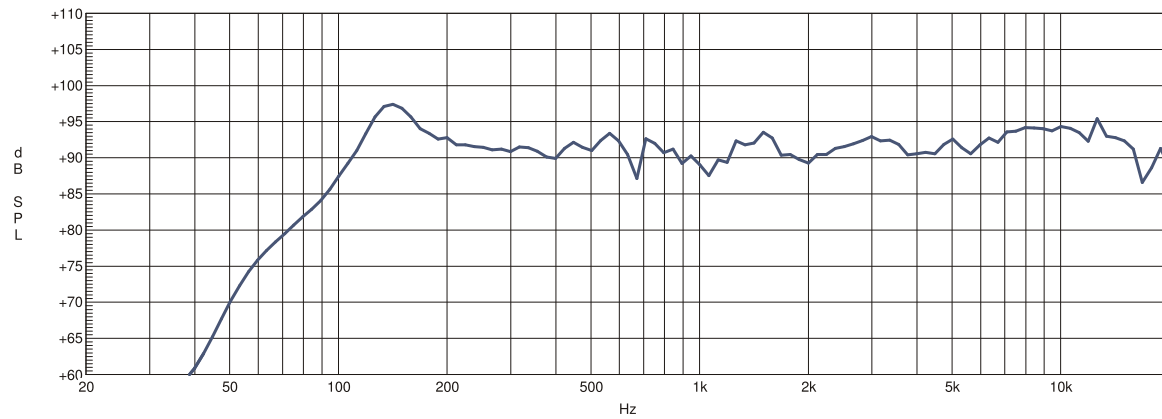


7 频响图

8" 2音路开口式无源音箱



10" 2音路开口式无源音箱

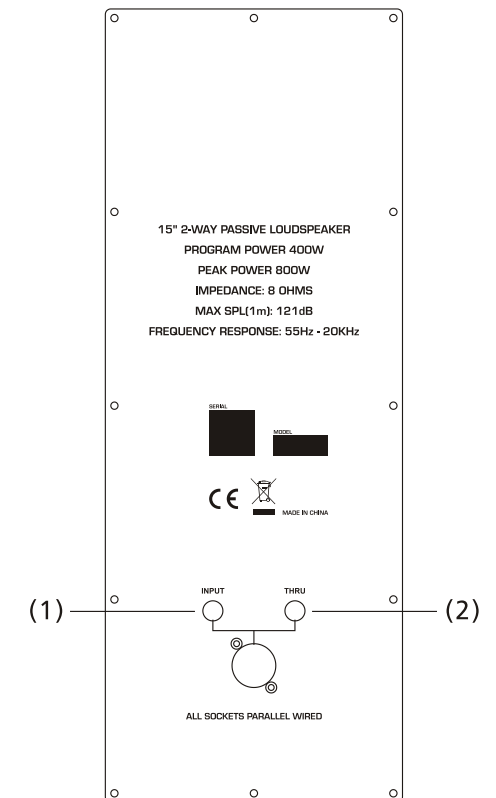
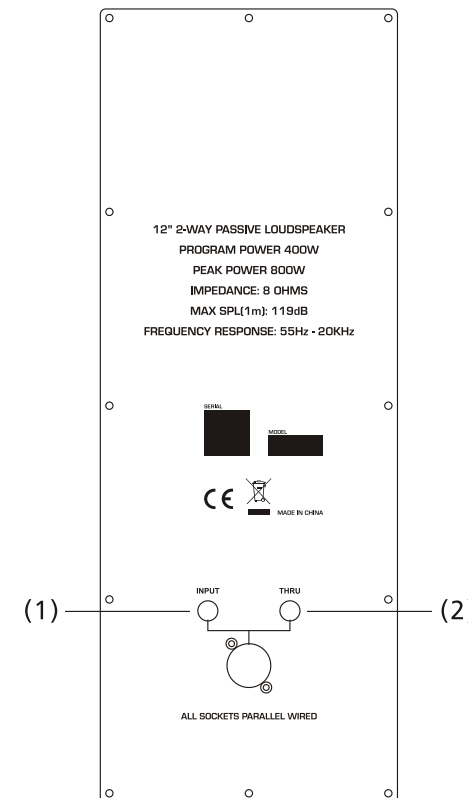
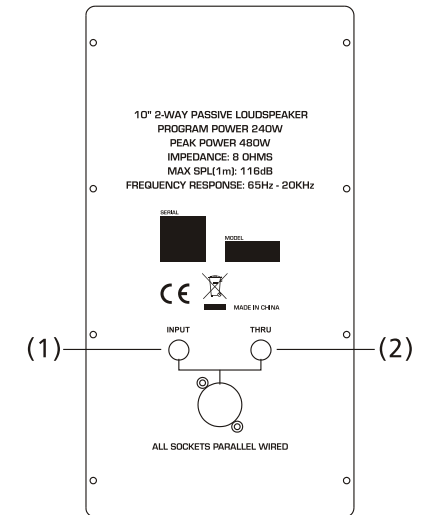
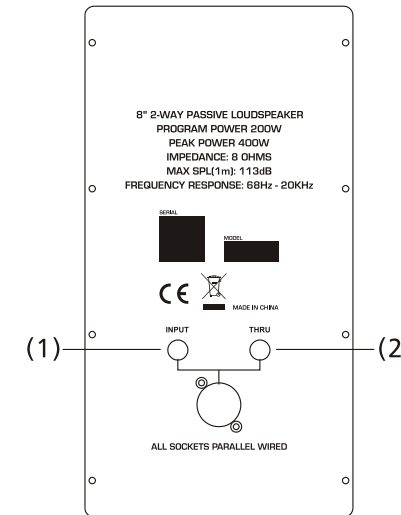


6

Connecting Plate

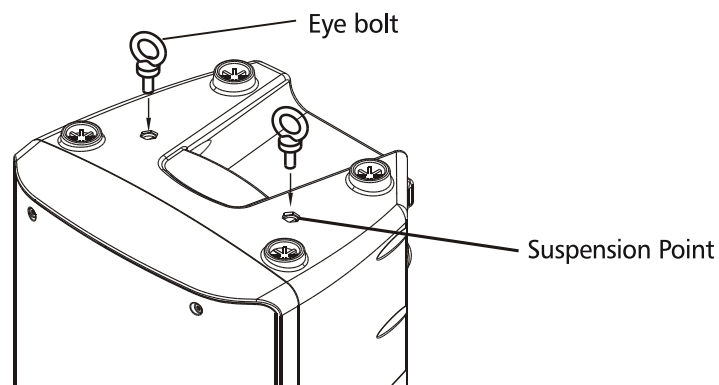
For Passive Full-range Speaker

- (1) INPUT: Receive the power coming from an external power amplifier (SPK +1/-1 connected; +2 -2 not connected)
- (2) THRU: Direct LINK for connecting in parallel a second speaker cabinet (SPK +1/-1 connected; +2 -2 not connected).

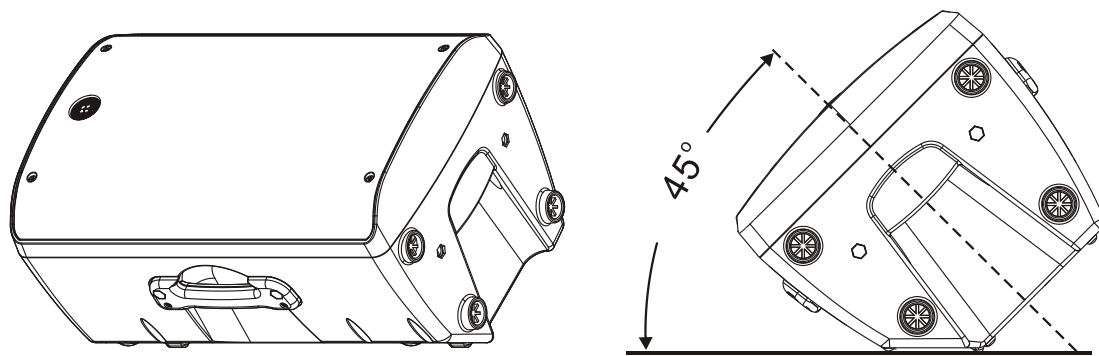


5 Rigging

The X MKII series speaker cabinet also provides the suspension points for installation.
 (M10x1.5PH LENGTH: 30mm).
 For further details, please refer to the right illustration(OPTIONAL FUNCTIONAL)



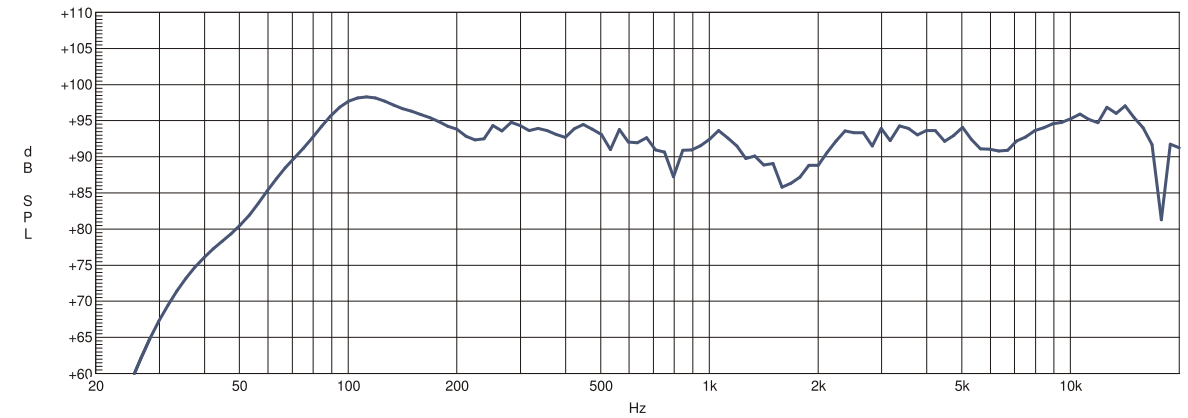
The floor use is as a function of a monitor when the angle is 45°



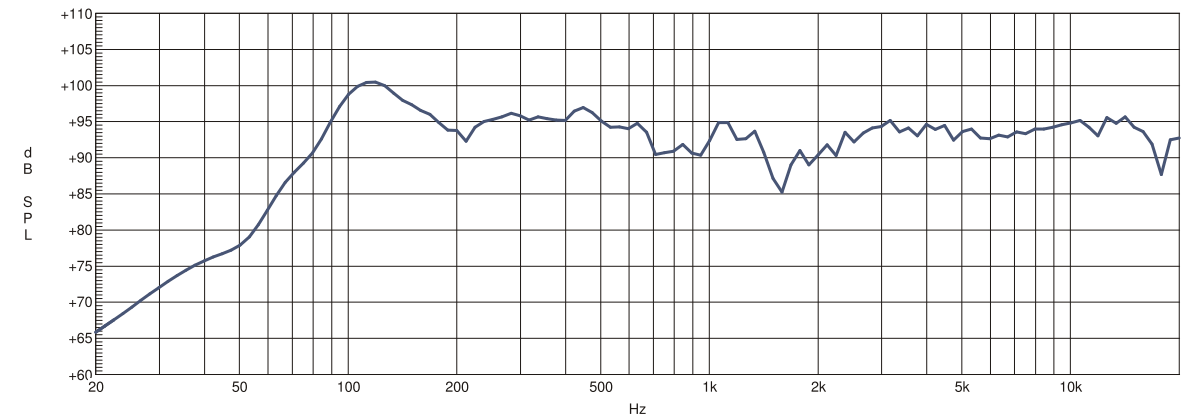
7

频响图

12" 2音路开口式无源音箱



15" 2音路开口式无源音箱



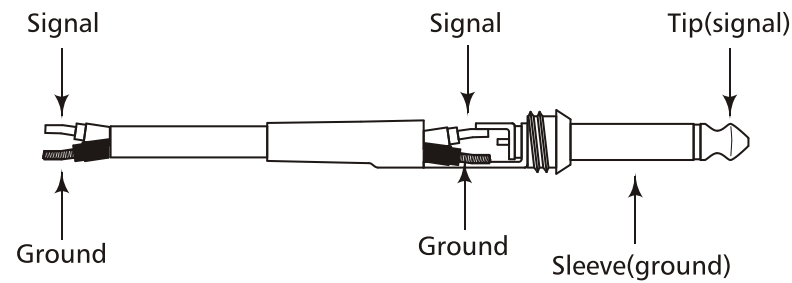
接线方式

X MKII 系列扬声器连接通过后面板 1/4" 和/或 Speakon® 连接器进行连接, 以便与行业标准电缆轻松连接。标准非屏蔽扬声器线 (可在当地专业音频或音乐商店购买) 带有 1/4" 电话插孔或 Speakon 连接器, 线规为 12-14 AWG。如果您的放大器使用接线柱, 则可以使用带香蕉连接器的扬声器电缆, 但在进行连接时请务必注意 +/- 极性。

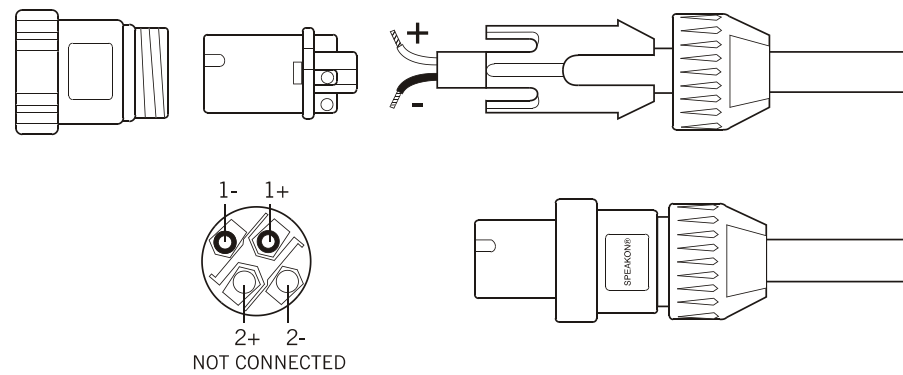
确保扬声器的+端子或香蕉连接器连接到功率放大器的端子, 并且扬声器的-端子或香蕉连接器连接到功率放大器的-端子。您的 PA 系统同相连接非常重要, 否则您将无法获得适当的低频端响应和立体声图像。

为系统接线时, 请使用下图确保正确连接:

非平衡 1/4" 连接器



Speakon® 接线指南

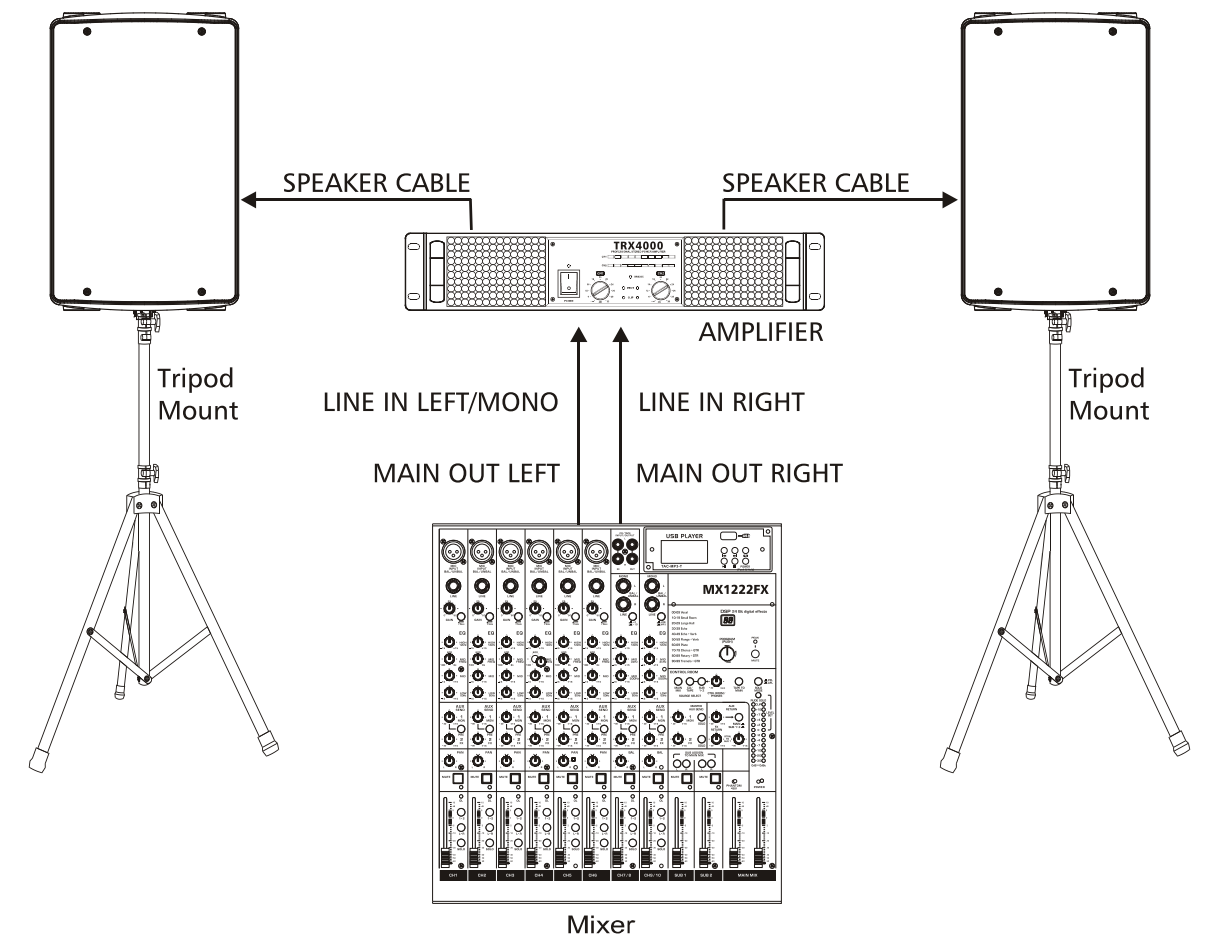


Hookup Diagrams

Make your initial connections with all the equipment powered off, and ensure that all the main volume controls are turned completely down.

For Passive Full-range Speaker Cabinet

- 1) Connect one side of the speaker cable to the Output CH A / CH B to Binding Post of your stereo power amplifier and the other side to the Input socket of your speaker cabinet.
- 2) Complete other connections as illustrated.
- 3) Turn on your mixer first, then the stereo power amplifier.
- 4) Turn up the volume controls of your amplifier to about 70%.
- 5) Use PFL function to get the proper input level for the mixer, and adjust the Main Mix Level control to manipulate the output level.
- 6) After using, turn off your stereo power amplifier first, then the mixer.



1

Introduction

Thank you for choosing us. The new **X MKII Series** cabinets have been designed to provide a cost effective high grade solution while maintaining high quality cabinet construction and optimum components.

The **X MKII Series**, can be used for all types of applications including, but not limited to, churches, conference centers and discos. The woofer and neodymium driver combination provides excellent performance rivaling those cabinets costing much more.

Our Professional Audio Products are designed and tested by a highly qualified engineering team with more than 20 years of experience. Great care is placed in delivering products with excellent performance, specifications and dependable reliability. Also great emphasis is placed in creating and bringing to market products that can fill multiple applications and also offer customers exceptional value.

2

Installation Tips

- Speakers should be placed in a position that allows for unobstructed sound projection. In many instances it is beneficial for speakers to elevate on tripod stands to achieve maximum dispersion and reach. Consider speaker stand or equivalent to raise speakers.
- Using quality cables ensure best possible sound.
- For best results match the speakers to a good amplifier that matches the wattage and impedance of your speakers. Proper amplification power results in good quality audio and longer component life. Check out.
- Avoid pointing microphone directly at an amplified speaker otherwise could cause feedback possible damaging speaker components and your hearing.

Enjoy the sound!

3

Useful data

Please write your serial number here for future reference.

Serial Number:

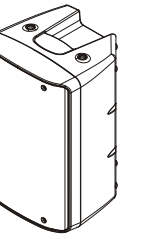
Date of purchase:

Purchased at:

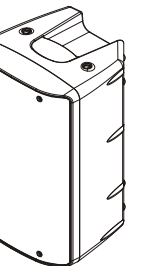
9

技术规格

型号	8"
系统类型	2音路开口式无源音箱
持续功率	100 Watts
峰值功率	400 Watts
最大声压级(1M)	113dB Max
频率响应	68Hz-20kHz (-6dB)
分频频率	2.2kHz
保护	高频 PTC 保护
阻抗	8 Ohms
低音喇叭	8"低音单元,1.5"音圈
高音喇叭	1" 铁氧体驱动器, 1" 音圈
连接器	2*1/4"Jack+SPK4(Pin1+, Pin1-)
箱体结构	塑胶箱体, 梯形和监听器形状, 金属铁网, 1* 顶部手把
安装	36MM标准杆式安装/4xM10吊挂点 (可选)
尺寸 (高x宽x深)	422*272*252mm (16.6"*10.7"*9.7")
净重	5.6 (kg) / 12.3(lbs)
体积	1.96 CFT

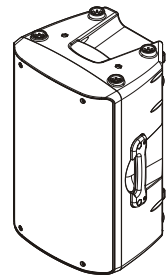


型号	10"
系统类型	2音路开口式无源音箱
持续功率	120 Watts
峰值功率	480 Watts
最大声压级(1M)	116dB Max
频率响应	65Hz-20kHz (-6dB)
分频频率	2.2kHz
保护	高频 PTC 保护
阻抗	8 Ohms
低音喇叭	10"低音单元,1.5"音圈
高音喇叭	1" 铁氧体驱动器, 1" 音圈
连接器	2*1/4"Jack+SPK4(Pin1+, Pin1-)
箱体结构	塑胶箱体, 梯形和监听器形状, 金属铁网, 1* 顶部手把
安装	36MM标准杆式安装/4xM10吊挂点 (可选)
尺寸 (高x宽x深)	462*287*277mm (18.2"*11.3"*10.9")
净重	6.6 (kg) / 14.6(lbs)
体积	2.36 CFT

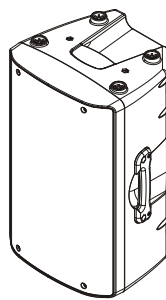


9

技术规格



型号	12"
系统类型	2音路开口式无源音箱
持续功率	200 Watts
峰值功率	800 Watts
最大声压级(1M/1W)	119dB Max
频率响应	55Hz-20kHz (-6dB)
分频频率	2.5kHz
保护	高频 PTC 保护
阻抗	8 Ohms
低音喇叭	12"低音单元,2"音圈
高音喇叭	1" 钹驱动器, 1" 音圈
连接器	2*1/4"Jack+SPK4(Pin1+, Pin1-)
箱体结构	塑胶箱体, 梯形和监听器形状, 金属铁网, 橡胶脚垫, 3* 手把 (顶部和侧面)
安装	36MM标准杆式安装/4xM10吊挂点 (可选)
尺寸 (高x宽x深)	602*381*348mm (23.7"*15"*13.7")
净重	12.5(kg) / 27.6(lbs)
体积	4.71 CFT



型号	15"
系统类型	2音路开口式无源音箱
持续功率	200 Watts
峰值功率	800 Watts
最大声压级(1M/1W)	121dB Max
频率响应	50Hz-20kHz (-6dB)
分频频率	2.5kHz
保护	高频 PTC 保护
阻抗	8 Ohms
低音喇叭	15"低音单元,2"音圈
高音喇叭	1" 钹驱动器, 1" 音圈
连接器	2*1/4"Jack+SPK4(Pin1+, Pin1-)
箱体结构	塑胶箱体, 梯形和监听器形状, 金属铁网, 橡胶脚垫, 3* 手把 (顶部和侧面)
安装	36MM标准杆式安装/4xM10吊挂点 (可选)
尺寸 (高x宽x深)	627*386*371mm (24.7"*15.2"*14.6")
净重	13.1 (kg) / 28.9(lbs)
体积	5.91 CFT

INDEX

1. INTRODUCTION	4
2. INSTALLATION TIPS.....	4
3. USEFUL DATA	4
4. HOOKUP DIAGRAMS.....	5
5. RIGGING	6
6. CONNECTING PLATE.....	7
7. FREQUENCY RESPONSE DIAGRAM	8
8. WIRE CONNECTIONS.....	10
9. TECHNICAL SPECIFICATIONS.....	11
10. Note	13

Important Safety Instructions



TO REDUCE THE RISK OF ELECTRIC SHOCK PLEASE DO NOT REMOVE THE COVER OR THE BACK PANEL OF THIS EQUIPMENT. THERE ARE NO PARTS NEEDED BY USER INSIDE THE EQUIPMENT. FOR SERVICE, PLEASE CONTACT QUALIFIED SERVICE CENTERS.

- This symbol, wherever used, alerts you to the presence of un-insulated and dangerous voltages in the product enclosure. These are voltages that may be sufficient to constitute the risk of electric shock or death.
- This symbol, wherever used, alerts you to important operating and maintenance instructions. Please read.
- Protective Ground Terminal
- AC mains (Alternating Current)
- Hazardous Live Terminal
- ON: Denotes the product is turned on.
- OFF: Denotes the product is turned off.

CAUTION
Describes precautions that should be observed to prevent damage to the product.

1. Read this Manual carefully before operation.
2. Keep this Manual in a safe place.
3. Be aware of all warnings reported with this symbol.
4. Keep this Equipment away from water and moisture.
5. Clean it only with dry cloth. Do not use solvent or other chemicals.
6. Do not damp or cover any cooling opening. Install the equipment only in accordance with the Manufacturer's instructions.
7. Power Cords are designed for your safety. Do not remove Ground connections! If the plug does not fit your AC outlet, seek advice from a qualified electrician. Protect the power cord and plug from any physical stress to avoid risk of electric shock. Do not place heavy objects on the power. This could cause electric shock or fire.
8. Unplug this equipment when unused for long periods of time or during a storm.
9. Refer all service to qualified service personnel only. Do not perform any servicing other than those instructions contained within the User's Manual.
10. To prevent fire and damage to the product, use only the recommended fuse type as indicated in this manual. Do not short-circuit the fuse holder.

WARNING

To reduce the risk of electric shock and fire, do not expose this equipment to moisture or rain.

Dispose of this product should not be placed in municipal waste and should be separate collection.

Before replacing the fuse, make sure that the product is OFF and disconnected from the AC outlet.

11. Move this Equipment only with a cart, stand, tripod, or bracket, specified by the manufacturer, or sold with the Equipment. When a cart is used, use caution when moving the cart/equipment combination to avoid possible injury from tip-over.

12. Permanent hearing loss may be caused by exposure to extremely high noise levels. The U.S. Government's Occupational Safety and Health Administration (OSHA) has specified the permissible exposure to noise level. These are shown in the following chart:

Hours x day	SPL	Example
8	90	Small gig
6	92	Train
4	95	Subway train
3	97	High level desktop monitors
2	100	Classic music concert
1.5	102	
1	105	
0.5	110	
0.25 or less	115	Rock Concert

According to OSHA, an exposure to high SPL in excess of these limits may result in the loss of hearing. To avoid the potential damage of hearing, it is recommended that Personnel exposed to equipment capable of generating high SPL use hearing protection while such equipment is under operation.

The apparatus shall be connected to a mains socket outlet with a protective earthing connection.

The mains plug or an appliance coupler is used as the disconnect device, the disconnect device shall remain readily operable.

附注



User's Manual

PASSIVE SPEAKER SYSTEM



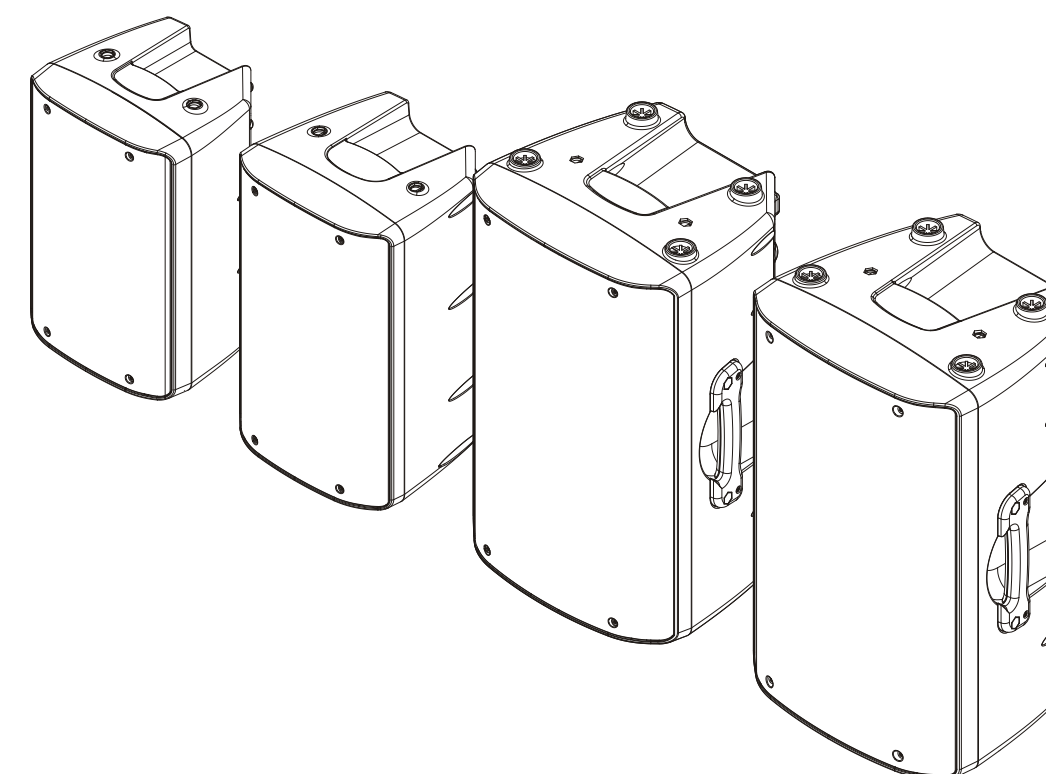
8"

10"

12"

15"

Speaker Cabinet



SEIKAKU TECHNICAL GROUP LIMITED

客 戶							
料 號	NF06055						
品 名	說明書-中/英文						
規 格	X MKII SERIES 兩無_V1.0						
機種成品料號	X8 MKII						
重量 / 基數	0.1KG / 1						
材 質	NH00149 2 : 3 NH00231 2:1						
紙張展開性質	A3 A4 A5 其它:				紙張展開數量	7 pcs	
核 准		審 核		校 稿		製 稿	<div style="border: 1px solid black; border-radius: 50%; padding: 5px; text-align: center;"> 研發部 APR. 25. 2024 江 玉 </div>
陽片數量: 14 張	供應商: 制六課			單位: mm	公差: ± 3mm		

