

温度传感器 KMT100 PT1000

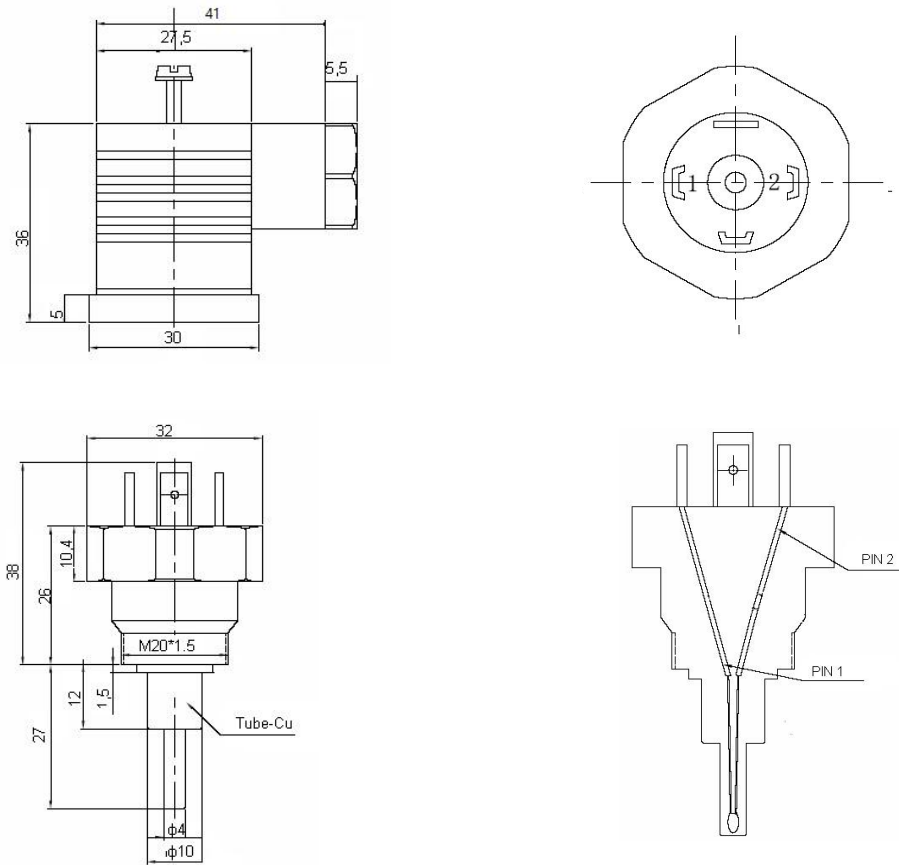


- 工业级PT1000传感器
- 阻值范围为842.77Ω to 1758.6Ω(-40℃ to 125℃)
- M20标准接口
- IP65防护等级
- 27mm 铜探头
- 响应时间短
- 温度精度高

技术参数

温度传感器类型	PT1000
温度范围	842.7Ω to 1758.6Ω(-40℃ to 125℃)
温度精度	≤ ± 0.5% Span
热耗散系数	Min 2.0mW/℃ (in air)
温度响应时间	≤3s
电气连接	PG 9
导体尺寸	Max. 1.5 mm ²
产品标准	DIN EN 175 301-803-A
颜色	黑色
结构类型	A
探头尺寸	6.3 mm x 0.8 mm, 4.8 mm x 0.8 mm
额定电压	AC/DC 250 V
额定电流	16 A
接触电阻	≤ 4 mOhm
适用电缆	4.5 mm to 7 mm 直径
连接螺纹	M20 螺纹
接触面材料	Sn
接触支架材料	PA
外壳材料	PA
防护等级	IP65

尺寸图



Pin 1 and pin 2 are the temperature signal output terminals.

产品认证



@Kudom Electronics Technology, All Right Are Reserved

T	0	1	2	3	4	5	6	7	8	9
°C	Resistance(Ω)									
-40	842.7	838.7	834.8	830.8	826.9	822.9	818.9	815	811	807
-30	882.2	878.3	874.3	870.4	866.4	862.5	858.5	854.6	850.6	846.7
-20	921.6	917.7	913.7	909.8	905.9	901.9	898	894	890.1	886.2
-10	960.9	956.9	953	949.1	945.2	941.2	937.3	933.4	929.5	925.5
0	1000	996.1	992.2	988.3	984.4	980.4	976.5	972.6	968.7	964.8
0	1000	1003.9	1007.8	1011.7	1015.6	1019.5	1023.4	1027.3	1031.2	1035.1
10	1039	1042.9	1046.8	1050.7	1054.6	1058.5	1062.4	1066.3	1070.2	1074
20	1077.9	1081.8	1085.7	1089.6	1093.5	1097.3	1101.2	1105.1	1109	1112.9
30	1116.7	1120.6	1124.5	1128.3	1132.2	1136.1	1140	1143.8	1147.7	1151.5
40	1155.4	1159.3	1163.1	1167	1170.8	1174.7	1178.6	1182.4	1186.3	1190.1
50	1194	1197.8	1201.7	1205.5	1209.4	1213.2	1217.1	1220.9	1224.7	1228.6
60	1232.4	1236.3	1240.1	1243.9	1247.8	1251.6	1255.4	1259.3	1263.1	1266.9
70	1270.8	1274.6	1278.4	1282.2	1286.1	1289.9	1293.7	1297.5	1301.3	1305.2
80	1309	1312.8	1316.6	1320.4	1324.2	1328	1331.8	1335.7	1339.5	1343.3
90	1347.1	1350.9	1354.7	1358.5	1362.3	1366.1	1369.9	1373.7	1377.5	1381.3
100	1385.1	1388.8	1392.6	1396.4	1400.2	1404	1407.8	1411.6	1415.4	1419.1
110	1422.9	1426.7	1430.5	1434.3	1438	1441.8	1445.6	1449.4	1453.1	1456.9
120	1460.7	1464.4	1468.2	1472	1475.7	1479.5	1483.3	1487	1490.8	1494.6
130	1498.3	1502.1	1509.6	1509.6	1513.3	1517.1	1520.8	1524.6	1525.3	1532.1
140	1535.8	1539.6	1547.1	1547.1	1550.8	1554.6	1558.3	1562	1565.8	1569.5
150	1573.3	1577	1584.5	1584.5	1588.2	1591.9	1595.6	1599.4	1603.1	1603.8
160	1610.5	1614.3	1621.7	1621.7	1625.4	1629.1	1632.9	1636.6	1640.3	1644
170	1647.7	1651.4	1658.9	1658.9	1662.6	1666.3	1670	1673.7	1677.4	1681.1
180	1684.8	1688.5	1695.9	1695.9	1699.6	1703.3	1707	1710.7	1714.3	1718
190	1721.7	1725.4	1732.8	1732.8	1736.5	1740.2	1743.8	1747.5	1751.2	1754.9
200	1758.6	1762.2	1765.9	1769.6	1773.3	1776.9	1780.6	1784.3	1787.9	1791.6