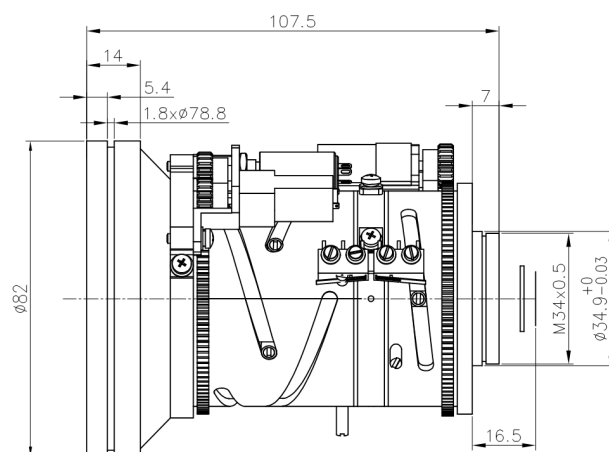


# 25~70mm F1.2 连续变焦镜头/ Continuous Zoom Lens



Zoom Uncooled 8~12μm

项目/ Item	数值/ Value	说明/ Remark
焦距/ Focal Length	25~70mm	连续变焦 Continuous Zoom
F/#	1.2	
波段/ Waveband	8~12μm	
透过率/ Transmission	80%	8~12μm, average
畸变/ Distortion	<7%(25mm)	<1% (70mm)
后工作距离/ BWD	16.5mm/M34×0.5	Back Working Distance
调焦范围/ Focus Range	1.5m~∞ (25mm)	5m~∞ (70mm)
调焦时间/ Focus Time	<5s	
变焦时间/ zoom Time	<5s	
变焦电压/ Zoom Voltage	DC 6V (5-8V)	
调焦电压/ Focus Voltage	DC 6V (5-8V)	
机械尺寸/ Dimensions	Φ82×L107.5mm	
重量/ Weight	525g	
镜头控制/ Lens Control		可定制 Upon Request
密封等级/ Sealing	IP67	Front Lens
工作温度/ Working Temperature	-20℃~+60℃	
存储温度/ Storage Temperature	-45℃~+85℃	
<b>探测器及视场角 / Detector and FOV</b>		
384×288,17μm	5.3°×4°~15°×11°	640×480,17μm 8.9°×6.7°~24°×19°
NFOV ~ WFVO		

