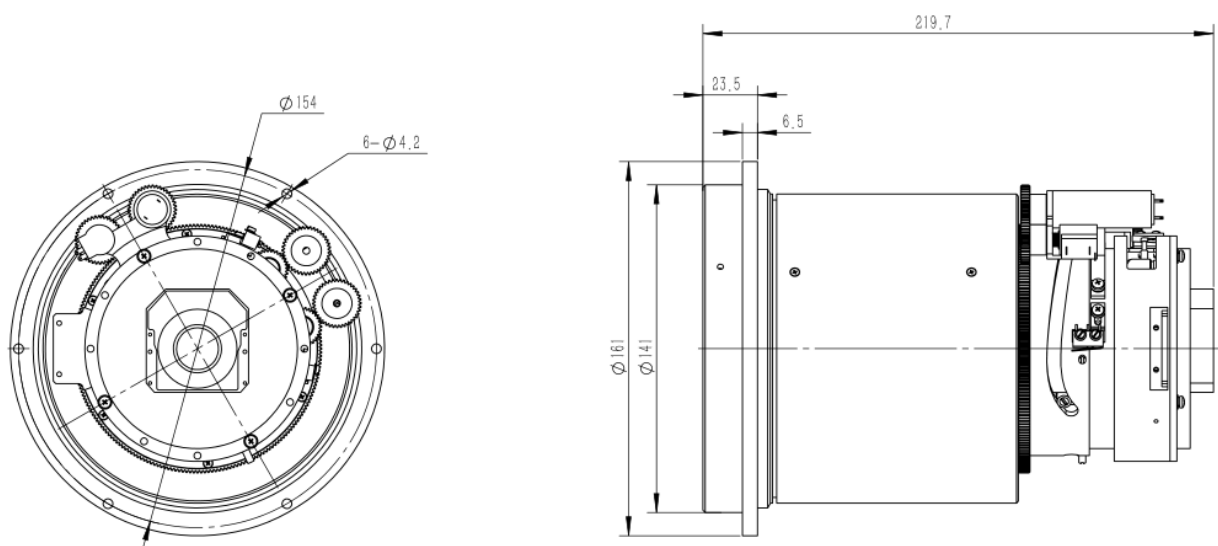


# 15~150mm F1.4 连续变焦镜头/Continuous Zoom Lens

Zoom Uncooled 8~12μm



项目/Item	数值/Value	说明/Remark	
焦距/ Focal Length	15~150mm	连续变焦 Continuous Zoom	
F/#	1.4		
波段/ Waveband	8~12μm		
透过率/ Transmission	80%	8~12μm, average	
畸变/ Distortion	<27%(15mm@18mm height)	<0.5% (150mm)	
后工作距离/ BWD	19.7mm	Back Working Distance	
MTF / at 20cy/mm	>35% at all zoom positions		
调焦范围/ Focus Range	5m~∞ (15mm)	15m~∞ (150mm)	
调焦时间/ Focus Time	<6s		
变焦时间/ zoom Time	<5s		
驱动电压/ Drive Voltage	DC12V (0.5A average)		
机械尺寸/ Dimensions	Φ152xL200.5mm		
重量/ Weight	<3kg		
镜头控制/ Lens Control	RS485	可定制 Upon Request	
密封等级/ Sealing	IP67	Front Lens	
工作温度/ Working Temperature	-25℃~+60℃ (可到-40℃~+60℃)		
存储温度/ Storage Temperature	-45℃~+85℃		
<b>探测器及视场角 / Detector and FOV</b>			
384×288, 17μm	2.5°×1.9°~25°×19°	320×240, 25μm	3.05°×2.3°~31.2°×23.2°
640×480, 17μm	4.1°×3.1°~43.1°×32°	800×600, 17μm	5.17°×3.89°~55.2°×40.2°
窄视场~宽视场/ NFOV ~ WFVO			



Tel: 010-64361780

Website: <http://www.bj-hysd.com>